

**Original instructions**  
*Instruction manual*

**Notice originale**  
*Instructions d'emploi*

**Manual original**  
*Manual del usuario*

**Important!**

Read this instruction manual carefully before first operation and strictly observe the safety regulations!

**Attention !**

Lire attentivement ce manuel avant la première mise en service et observer absolument les prescriptions de sécurité !

**¡Atención!**

*Es indispensable leer con mucha atención las instrucciones de manejo antes de utilizarla por primera vez. ¡Preste especial atención a las recomendaciones de seguridad!*

**Battery backpack  
sprayer**

**Pulvérisateur à dos  
à batterie**

**Pulverizador de  
mochila con batería**

## Original instructions

### 1 General

Read this instruction manual carefully before first operation and strictly observe the safety regulations!

Changes to the scope of supply in form, technology and equipment are reserved. No claims can be derived from any information and figures in these original instructions.

The original packaging and, at the end of its service life, the sprayer must be properly disposed of according to the local environmental regulations.

### 2 Wear parts

The following wear parts are not subject to the manufacturer's guarantee:

- \* All rubber parts that come into contact with spraying liquid, \* nozzles, \* filters, \* seals, \* rechargeable battery

### 3 Warranty

Please observe that specific warranty conditions are valid in some countries. In doubt, ask your vendor.

No guarantee can be granted for any damage caused by:

- Non-observation of the original instructions.
  - Omission of necessary maintenance and cleaning work.
  - Wear and tear from regular use
  - Use of unapproved working tools.
  - Use of force, improper treatment, abuse or accident.
  - Manipulations by non-qualified persons or from improper repair attempts.
  - Unauthorized modifications to the device.
  - Use of unsuitable spare parts or non-genuine spare parts.
  - Use of unapproved chemicals or dilutions.
  - Damage caused by use in the rental business.
- Any warranty work must be performed by one of our authorised specialist vendors. Cleaning, care and standard adjustments are not accepted as warranty services.

### 4 Scope of delivery

- Basic unit with hand valve and pressure hose
- Spray tube
- Pre-installed nozzle assembly incl. nozzle
- Assembly parts cap but, O-ring
- Carrying belt and attachment pin
- Rechargeable battery
- Charger

## 5 Symbols



Read the original instructions thoroughly.



DANGER! Non-observation of the original instructions may potentially cause injury.



Wear the prescribed protective clothing.



Wear protective gloves.



Wear facial protection (e.g. goggles).



Wear breathing protection.



No smoking.



No open fire.



Minimum distance from other persons: 15 m [approx. 16 yards]

Electrical equipment must not be disposed of as normal domestic waste.



Ensure that the device, rechargeable battery and all electrical accessories are disposed of or recycled at an official disposal or recycling facility for electrical equipment.



The device and the battery must not be exposed to splashing water or precipitation.

## 6 Safety provisions

### 6.1 Intended use / applications

- Use the device only for application of liquid herbicides, pesticides and weed killers as well as liquid fertilisers that are available in authorised specialist trade and approved by local/national authorities for use with portable spraying devices and for application of clean water.
- Strictly observe the information on the spraying agent, in particular instructions on personal protective equipment.
- Application areas are in farming, tree nurseries, forest operations, orchards, vineyards, market gardens, as well as glasshouse cultures with sufficient ventilation and venting.
- The device must not be used for any other purposes, such as application of other agents from the above liquids! In particular, no acids, alkalis and solvent-containing liquids must be applied.
- Never use any liquids with temperatures above 40 °C [104 °F].
- Do not use any flammable agents.

## 6.2 General safety notes

Read the original instructions before first use and keep it in a safe place.

Non-observation of information provided in these original instructions may potentially be fatal; the user is liable for any damage, direct or consequential, caused by this.

The original instructions must be kept on hand at the site of use of the sprayer at all times.

It must be read by all who are charged with any work with and on the device (including for maintenance, care and repair).

- Have safe use shown and explained to you by a SOLO specialist vendor.
- Persons under the age of 18 must only work under supervision with this sprayer.
- Persons with medical implants must consult a doctor before using this device or obtain information from the manufacturer of the implant.
- Keep persons and animals away from the working area. Never spray in the direction of any persons, animals or objects that could be hurt or damaged.
- This sprayer must only be passed on to persons who are familiar with this model, its operation and the original instructions.
- If you work with this sprayer, you should be physically fit, rested and healthy.
- Do not use the sprayer while under the influence of alcohol, drugs or medication.
- Never make any changes to existing safety provisions and operating parts.
- Only use the sprayer when it is operationally safe to do so. Check the sprayer before every use according to chap. 10.1.
- Replace damaged parts without delay. Only use SOLO genuine spare parts.
- Use only the original battery. Accessories and attachments must be approved for this device.
- Empty and clean the sprayer according to the information in chap. 10.4 for this. Prevent unauthorised access to the machine.





## 6.3 Safe handling of spraying liquids

- Follow suitable procedures and use collection containers to prevent any contamination of the environment, the public waterways and/or storm water systems from chemical agents and cleaners. This can happen while mixing, filling, using, emptying, cleaning or during transport.
- Always collect chemical spray liquids and cleaners (including residues) in suitable containers and return them to collection points specified by the municipal administration.
- In case of skin or eye contact, rinse or flush the affected body parts with plenty of clean water. Seek medical advice without delay.
- Contaminated clothing should be changed at once.
- Never eat or drink while handling spray liquids
- If you feel nauseous during work, or if you are excessively fatigued, stop working at once. If the condition persists, seek medical advice without delay.
- Never permit children or persons work with or handle spraying liquids if they are not familiar with these substances.
- Never fill different spray solutions into the spray tank.
- The description of the kind of spray solution used must be attached to the device and must be updated with every change of the spraying solution.
- When changing the spray solution, clean the spray tank and all parts that come in contact with the spray solution. Operate the sprayer with clear water first before filling the spray tank with the different spray solution.
- At the end of work, empty and clean the sprayer according to chap. 10.3, clean your face and hands thoroughly, take off work clothing and wash it regularly.

#### 6.4 Safe handling of the rechargeable battery and the charger

- The charger must only be used to charge the original battery of this battery backpack sprayer indoors.
- The amount, type and frequency of the operating voltage of the power supply must correspond to the information on the charger. The socket must match the mains plug of the charger.
- Do not carry out the charging process during long-term absence (vacation).
- After charging disconnect the charger from the power supply immediately.
- Always hold the body of the plug when plugging it in and disconnecting it. Never pull it out by the cable.
- Never connect the two terminals of the rechargeable battery (+ / -) with a conducting object (short circuit). Also exclude the possibility of a short circuit of the contacts when storing the battery outside the device.
- When cleaning the charger, the main plug must be disconnected from the mains. Keep the charger, the rechargeable battery and all of the electronics well away from splash water. These areas should only be cleaned with a dry or slightly damp cloth.
- The rechargeable battery contains dangerous substances. Never open the battery or the charger.
- Only use the genuine charger to recharge the battery.
- Never send defective / used batteries.

#### 6.5 Work clothing /personal protection equipment (PPE)

-  Suitable and approved protective clothing that protects all body parts from contact with the spray solution must be worn.
- Wear firm shoes with good gripping soles.
-  Wear protective gloves with a slip-proof palm.
-  Use facial protection (e.g. protective goggles).
-  Always wear a breathing mask. when working in dense, tall plants, greenhouses, troughs or trenches and when using dangerous spraying agents.

#### 6.6 Before and during work

- Before starting work, always check the entire device for operational safety according to chap. 10.1.
- The sprayer must only be operated by one person. There must be no other person within a radius of 15m [approx. 16 yards].
- Always ensure sufficient air exchange in dense plant growth, in greenhouses, troughs or trenches.
- Always stay within calling distance from other persons that may provide help in emergency.
- Take regular working breaks to prevent fatigue.
- Do not smoke at the workplace.
- In case of serious disturbances or accidents during operation of the device as smoke, strong odors from the device or if the device is in flames instantly remove the unit from your body and take a safe distance. In case of fire, you have to call the fire department immediately.
- When switching on the pump, ensure that the shut-off valve is closed. Point the spray tube towards a free area.

#### 6.7 When transporting the sprayer

- Always switch off the pump when transporting the device.
- Depressurise the device according to chap. 9.2.
- The device must be securely strapped down when transported on vehicles.
- Prevent leakages of spraying agents. The liquid tank of the sprayer and all liquid carrying hoses must be inspected regularly for leaks.

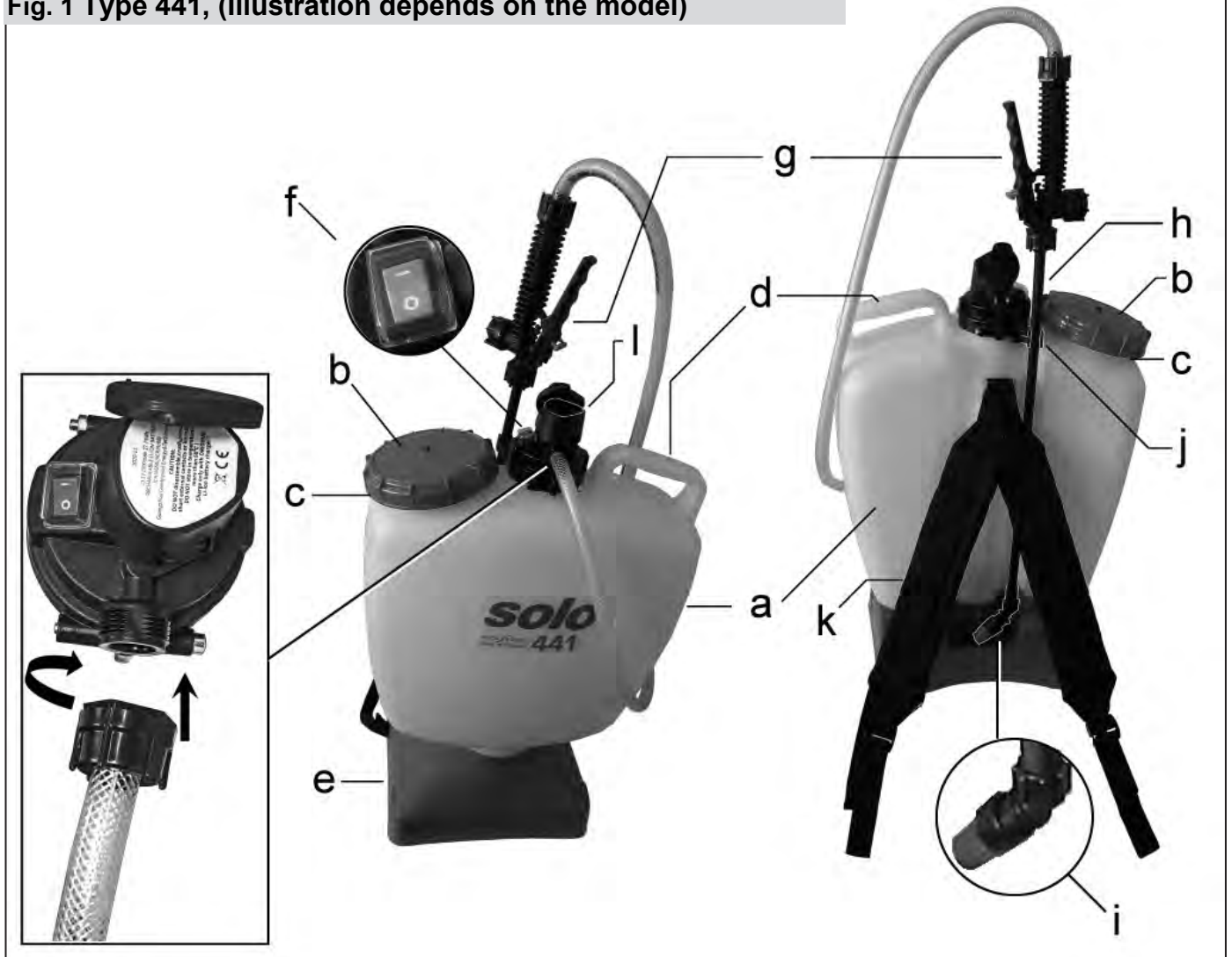
#### 6.8 Maintenance, repair and storage

Only perform maintenance and repair work yourself that is described in these original instructions. All other work must be carried out by an authorised specialist workshop.

- Do not service, repair or store the sprayer near open fire.
- Always turn off the pump before any maintenance and repair work.
- The pressure hose, hand valve, spray wand and nozzle assembly must only be unscrewed when the sprayer is depressurised.



Fig. 1 Type 441, (Illustration depends on the model)



### Fitting the hose to the pump

- Remove and discard the plug from the threaded connector of the pump. Screw the hose with the union nut to the threaded connector of the pump.

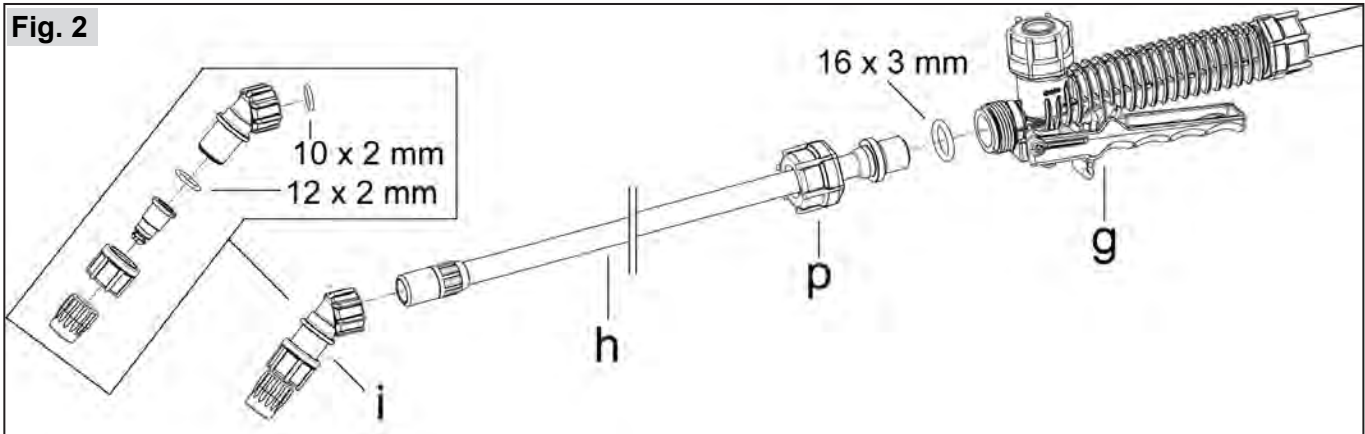
Outside of work, the spraying wand (h) is attached to the spraying wand holder (j).

Always remove the spraying wand from the open side of the spraying wand holder (vertical to the device), never on the side!

- a. Spray tank
- b. Tank lid *screwed to the filling socket (c)*
- d. Carry handle
- e. Standing foot
- f. On/off switch
- g. Hand valve
- h. Spray wand
- i. Nozzle attachment
- j. Spray tube holder
- k. Carrying belt
- l. Rechargeable battery

## 7.1 Assembly

### Assembly of the spraying wand (**h**):

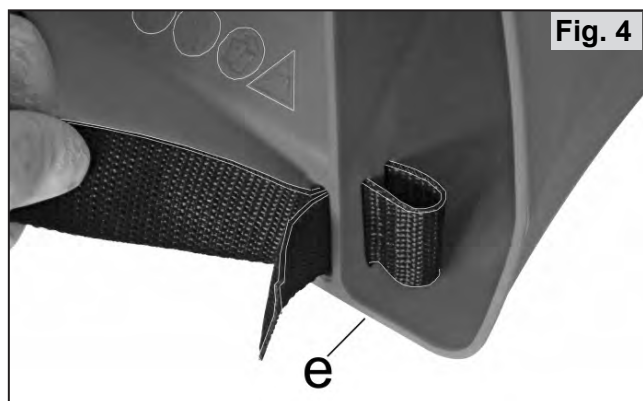


- Start the cap nut (**p**) evenly and screw the spray tube with the O-ring (16x3 mm) onto the hand valve (**g**) hand-tight without tools.
- Screw the nozzle attachment (**i**) onto the spray tube hand-tight without tools.

### Assembly carrying belt



- Thread the upper loop of the carrying belt (**k**), through one of the three attachment ribs from above depending on body size, so that the two clamping sliders (**s**) are on the outside.
- Secure the loop with the attachment pin (**m**) from below.



- Thread the ends of each carrying belt through the specified slits in the standing base (**e**).
- Tighten the belt.

## 7.2 Length adjustment of the carrying straps



Pulling down the two strap ends will tighten the carrying straps.

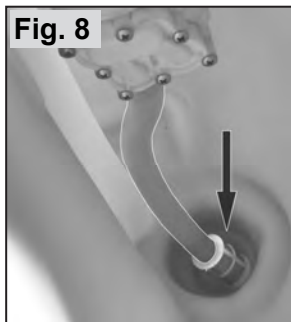


Pulling the two belt ends upwards will loosen the carrying strap.

### 7.3 Filling screen and intake screen



The basket in the filling neck (c) of the liquid tank contains a filter screen (r).

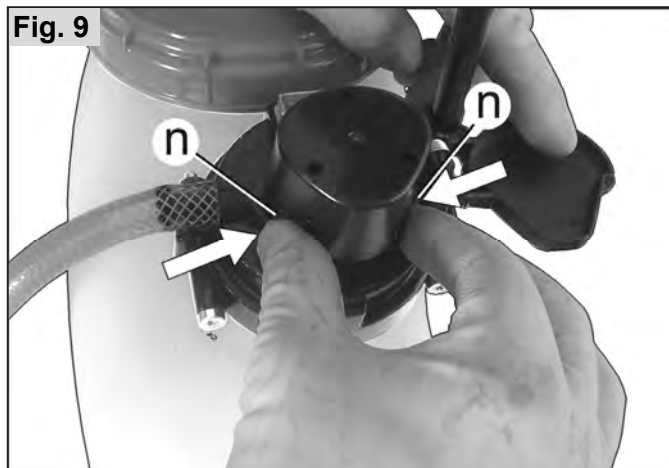


The intake screen is pushed on at the intake hose to the pump of the spraying agent tank.

The filling screen and intake screen are required when using the device.

### 7.4 Charging the battery

Before removing the rechargeable battery from the device, always switch the on/off switch to "0"!



To remove the rechargeable battery from the device, compress the two latching levers (n) to unlatch the battery, and then take out the battery upwards.

The rechargeable battery needs to be charged before you can use the pressure sprayer for the first time.

Charging time:           Approx 2 hours

Place the charger on a stable support and connect it to a suitable mains.

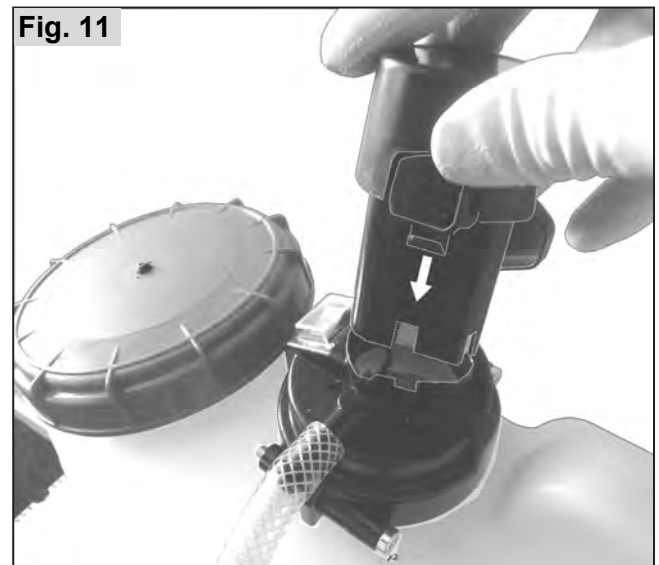
Before inserting the battery, make sure that the contacts of the battery and the charger are clean, dry and free of foreign objects.



Push the battery into the charger in the proper position (according to the figure).

While the battery is charging, the LED on the charger lights up red. Once the battery is fully charged, the LED switches to green.

After charging, remove the battery from the charger upwards and disconnect the charger from the mains.



Put the battery into the device in the correct position (according to the figure) from above into the device until you feel it click into place. Check that the battery is secure.

### 7.5 Test run

Before its initial use, the sprayer should be tested according to chapter 10.2.

## 8 Preparing the spray liquid and filling the spray tank

Prepare the spray liquid according to the instructions of the chemical manufacturer.

Always prepare the spray liquid outdoors, never in living quarters, stables or storage rooms for food and animal feed.

To fill the spray tank, always remove the rechargeable battery from the unit and close the protective cover for the rechargeable battery compartment.

When filling the spray tank, always use the filler basket with the integrated filter screen (r).

Fill the tank no further than to the upper-most mark on the side of the spray tank.

Overfilling the tank or spills can contaminate public waterways, rain- and storm water channel and must be avoided.

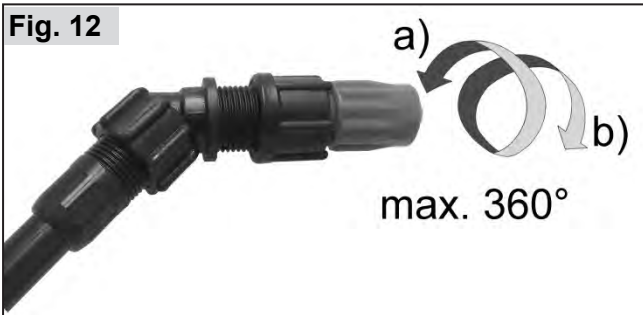
Wipe off spilled spray liquid without delay.

When screwing on the tank cap, always position it straight, do not misjudge.

## 9 Use of the device

- Do not use the sprayer in wind or rain.
- Check the direction of the air movement before starting work and spray with the air movement, not against it.
- Do not spray towards persons, animals, open doors and windows, cars or other objects that may be hurt or damaged by the spray.
- Ensure that only the actual spray target will be wetted. Always aim to obtain even and homogenous distribution of the spray on the treated surfaces.

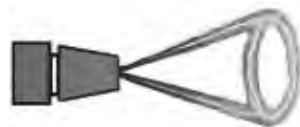
### Nozzle adjustment



a) Nozzle closed

→ hollow cone

Delivery rate at 2.5 bar:  
0.6 l/min [0.158 USgal/min]



b) Nozzle open

(1/2 turn 180° until

max. 1 turn, 360°)

→ coarse and narrow jet

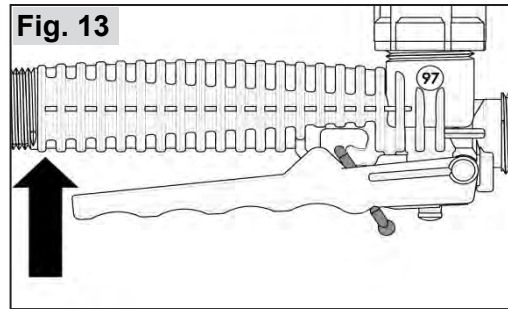
Delivery rate at 2.5 bar: 1.6 l/min [0.422 USgal/min]



### Spraying:

When the hand valve (g) is closed (hand valve not actuated), turn on the pump with the on/off switch (f).

Hold the spray wand with the hand valve.



To spray, depress the hand lever on the valve.

Release the hand valve lever to stop spraying.

To spray the underside of leaves, lightly loosen the spray wand cap nut and turn the wand hand tighten again.

An uneven spray picture or reduced spray output from the nozzle may require cleaning the nozzle (chap. 10.3) or the replacement of it.

If the spray output is clearly reducing, end spraying and charge the battery. (chap. 7.4)

Always turn the pump off with the on/off switch during work interruptions in which the device is taken off the back.

### 9.1 Disposal of residual spray volume

Residual spray volumes of less than 200 ml [6.8 oz] are no longer pumped effectively. Either add more spray formula and continue spraying or, when finishing off, dilute the residual volume with 2 litres [68 oz] of clean water and apply to the already treated area.

### 9.2 Stop spraying

At the end of work, turn off the pump with the on/off switch.

To depressurize the device, hold the spray tube in the spray tank or in a suitable container for spray agent with the pump switched off and operate the manual valve until no more liquid escapes.

Remove the battery and store it safely.

Empty and clean the device according to chap. 10.3, clean your face and hands thoroughly, take off work clothing and wash it regularly.



## 10 Maintenance, cleaning and storage

### 10.1 Maintenance plan

#### Before starting work:

- Check the entire sprayer is operationally safe by:
  - Visual inspection of the sprayer
  - Checking the tightness of all parts (at maximum admissible pressure with the hand valve opened and closed).
  - Checking the working of all functional parts (on/off switch, hand valve).
  - Checking the hoses and their screw connections.
  - Visual inspection of the filter screen in the filler basket.

#### After the end of work, when changing the spray formula, whenever required:

- Cleaning the spray tank chap. 10.3
- Cleaning the nozzle chap. 10.3
- Cleaning the filter screen in the filler basket chap. 10.3

### 10.2 Test run

When the spraying season starts and then every month, the following items must be checked in a test run with clean water:

- Tightness of all device parts in pump operation with the hand valve opened and closed
- Function of the hand valve; no spraying agent must escape with the hand valve closed (hand valve not actuated).
- Dosage and distribution accuracy

In case of irregularities, damage, leaks or limited function, do not use the sprayer but have it checked in a specialist workshop without delay.

### 10.3 Empty the spray tank and clean all the parts in the spray delivery system to the nozzle

Switch off the pump, depressurise the device, remove the battery and store it safely.

Empty the spray tank, flush with clean water all parts in the delivery system to the nozzle and the filter screen in the filler basket.

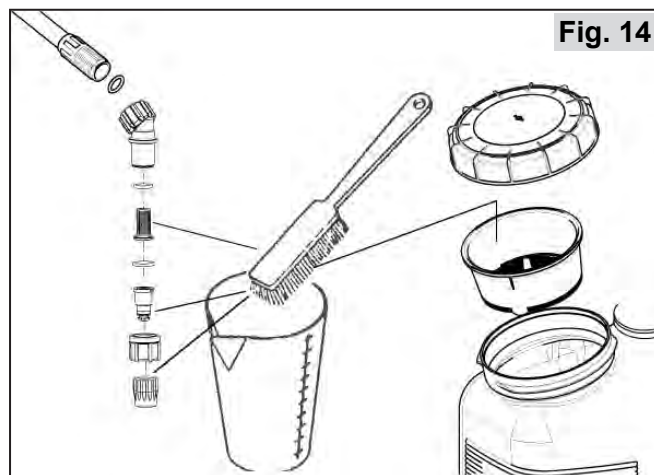
Give special attention to the wear parts such as nozzles and seals.

Observe the cleaning notes in the original user manual for the chemical.

Never use any aggressive, acid- or solvent-containing cleaning agents (e.g. petrol).

After cleaning, let the spray tank dry in the open air.

### Clean the spraying nozzle, filter and filling screen



- Flush the nozzle assembly with clean water.
- Unscrew the nozzle assembly.
- Clean the O-rings, spray nozzle and filling screen with clean water and a soft brush. Never blow out the spray nozzle with the mouth! Never clean nozzles with hard objects!
- Screw the parts of the nozzle assembly back together (Fig. 2).

### 10.4 Down periods and storage

Switch off the pump, depressurise the device, remove the battery and store it safely.

Empty and clean the sprayer according to chap. 10.4.

Keep the sprayer protected from sunlight in a dry, frost-free and secure location at a temperature of max. 35 °C [95 °F].

Prevent unauthorised use – especially by children.

## 11 Type plate



Fig. 15 Type 441, (Illustration depends on the model):

- a: Type designation
- b: Serial number
- c: Manufacturing month/year

## 12 Technical data

Model		411	441
Spray tank:	Total volume approx.	13 l [3.4 gal]	17.8 l [4.7 gal]
	Max. fill volume	10.0 l [2.6 gal]	16.0 l [4.2 gal]
Residual volume, (remaining liquid in tank that cannot be used)		< 200 ml [6.8 oz]	
Pump system		SOLO Diaphragm pump	
Operating pressure		2.5 bar [36 psi]	
Permissible operating temperature		0–40 °C [32–104 °F]	
Pressure hose:	Length	1,300 mm [51.2"]	
Application volume (with standard spraying nozzle)		0.6 l – 1.6 l [0.158–0.422 USgal]	
Filling screen:	Mesh gauge	1.8 mm [0.071"]	
Intake screen (stainless steel)	Mesh gauge	0.35 mm [0.014"]	
Weight:	Ready for operation, empty, w/o battery	3.5 kg [7.7 lbs]	3.7 kg [8.1 lbs]
	Ready for operation, with max. filling volume	13.6 kg [30.0 lbs]	19.8 kg [43.7 lbs]
Dimensions (without spray wand, and pressure hose):	height	547 mm [21.5"]	622 mm [24.5"]
	Width	390 mm [15.4"]	390 mm [15.4"]
	Depth	245 mm [9.6"]	245 mm [9.6"]
Rechargeable battery (Li-Ion)	Rated voltage	11,1 V	
	Capacity	2.5 Ah	
Battery charger	Input operating voltage	100–240 V	
	Frequency of operating voltage	AC 50/60 Hz	
	Rated output voltage	DC 12.6 V	
	Max. charging current	1.5 A	
	Protection type / protection class	IP 20 / II	
Charging time with minimum initial battery charge		Approx. 1.9 h	
Operating time with standard nozzle per charging cycle (0.6L/min@2.5bar [0.158 USgal @36 psi] )		Approx. 2.8 h	
Sound pressure level <sup>1</sup> L <sub>Peq</sub> according to EN ISO 3744		< 70 dB(A)	
Sound power level <sup>1</sup> L <sub>Weq</sub> according to EN ISO 3744		< 70 dB(A)	
Weighted effective acceleration <sup>1</sup> a <sub>hv,eq</sub> according to EN ISO 5349		< 2.0 m/s <sup>2</sup> [78.7 "/s <sup>2</sup> ]	

<sup>1</sup> In determining the above mentioned values regarding the acceleration of vibrations and sound, the different operating conditions were weighted in accordance with the current standards.

## Notice originale

### 1 Général

Lire attentivement le présent manuel avant la première mise en service et observer impérativement les consignes de sécurité !  
Sous réserve de modifications du contenu de la livraison tant en ce qui concerne la forme que la technologie et l'équipement. Les données et les illustrations contenues dans ce manuel d'utilisation n'ouvrent aucun droit à des prétentions quelconques.

En fin de vie de l'appareil, éliminez celui-ci dans le respect de la réglementation locale.

### 2 Pièces d'usure

Les pièces d'usures suivantes ne sont pas incluses dans la garantie constructeur :

\* Tous les éléments en caoutchouc venant en contact avec le produit pulvérisé, \* jets, \* filtres, \* joints,\* batterie (Li-Ion)

### 3 Garantie

Veillez noter que des conditions spécifiques de garantie sont appliquées dans certains pays. Veillez demander à votre revendeur en cas de doute.

Nous ne prenons aucune garantie pour les causes suivantes de dommages :

- Non-respect du manuel d'utilisation d'origine.
- Omission des travaux nécessaires d'entretien et de nettoyage.
- Usure suite à une utilisation normale
- Utilisation d'outils de travail non homologués.
- Usage de la force, traitement incorrect, abus ou accident.
- Intervention de personnes inaptes ou tentatives non conformes de remise en état.
- Modifications de l'appareil de son propre gré.
- Utilisation de pièces de remplacement non conformes aux pièces non d'origine.
- Utilisation d'un agent de pulvérisation non homologué.
- Les dommages engendrés suite aux conditions d'emploi d'activités de location.

Tout travail dans le cadre de la garantie est à effectuer par un revendeur spécialisé autorisé. Les travaux de nettoyage, d'entretien et de réglages ne sont pas reconnus comme prestations dans le cadre de la garantie.

### 4 Contenu de la livraison

- Appareil de base avec valve à gâchette sur le tuyau sous pression
- Lance de pulvérisation
- Embout de pulvérisation prémonté y compris buse
- Écrou de raccordement des pièces de montage, joint torique
- Bretelles et broches de fixation

- Batterie (Li-Ion)
- Chargeur

### 5 Symboles



Lisez attentivement les instructions d'emploi.



DANGER ! Le non-respect du manuel d'utilisation d'origine peut entraîner des accidents avec blessures.



Portez les vêtements de protection prescrits.



Porter des gants de protection



Porter une protection du visage (p.ex. lunettes de protection).



Porter un masque de protection des voies respiratoires.



Interdiction de fumer.



Pas de flamme.



Distance minimale par rapport à d'autres personnes : 15 m



Les appareils électriques ne font pas partie des ordures ménagères. Remettre les appareils, batterie et leurs accessoires aux services officiels compétents de collecte des déchets.



L'appareil et la batterie ne doivent pas être exposés à des projections d'eau ou à des précipitations.

### 6 Consignes de sécurité

#### 6.1 Utilisation conforme / domaines d'utilisation

- Ce pulvérisateur à dos doit exclusivement être employé pour la pulvérisation de produits phytosanitaires, de pesticides, de désherbants et d'engrais liquides agréés selon les stipulations locales/nationales à une application dans des pulvérisateurs à porter et disponibles dans le commerce spécialisé ainsi que pour la pulvérisation d'eau propre.
- Suivre strictement les indications de l'agent de pulvérisation, notamment les instructions concernant l'équipement de protection personnelle.
- Les domaines d'utilisation sont l'agriculture, les pépinières et les exploitations forestières, dans les cultures de fruits, de vins et de légumes, le domaine de la maison et du jardin tout comme des cultures sous serres avec une aération et une ventilation suffisantes.
- L'appareil ne doit pas être utilisé dans tous les autres buts tels que par exemple l'épandage de mélanges autres que les liquides mentionnés ci-

dessus ! En particulier, aucun acide, alcalis et liquide contenant des solvants ne doit être répandu.

- N'employer aucun liquide au-dessus de 40°C.
- Ne pas utiliser d'agent inflammable.

## 6.2 Conseils de sécurité généraux

Lisez attentivement ces instructions d'emploi avant une première mise en service et conservez-les précautionneusement.

Le non-respect de ces consignes de sécurité peut représenter un danger de mort, l'utilisateur répond des dommages causés et de leurs suites.

Les instructions d'emploi doivent être en permanence disponibles sur le lieu d'utilisation de l'appareil.

Elles doivent être lues par toute personne chargée d'un travail sur et avec l'appareil (y compris maintenance, entretien et réparations).

- Faites-vous montrer et expliquer le maniement en sécurité par un distributeur SOLO.
- Les personnes de moins de 18 ans ne doivent travailler avec cet appareil que sous surveillance.
- Les personnes porteuses d'implants médicaux doivent consulter un médecin avant d'utiliser cet appareil ou se renseigner auprès du fabricant de l'implant.
- Éloignez les personnes et les animaux du lieu de travail. Ne jamais asperger en direction de personnes, d'animaux ou objets pouvant être endommagés.
- Cet appareil ne doit être prêté ou transmis qu'à des personnes familiarisées avec ce type d'appareil, son usage et le manuel d'utilisation d'origine.
- Pour travailler avec cet appareil, vous devez être en bonne constitution, reposé et en bonne santé.
- On ne doit pas utiliser cet appareil sous l'influence d'alcool, de drogues ou de médicaments.
- Ne procédez à aucune modification des pièces et aménagements de sécurité existants.
- N'utiliser l'appareil que dans un bon état de fonctionnement. Le contrôler avant chaque utilisation conformément au chapitre 10.1.
- Immédiatement remplacer les pièces endommagées. N'utiliser à cet effet que des pièces d'origine SOLO.
- N'utiliser exclusivement que les accessoires et les pièces d'équipement qui sont autorisés pour cet appareil.
- Utiliser exclusivement la batterie d'origine. Les accessoires et les pièces d'équipement doivent être autorisés pour cet appareil.
- Lors du rangement de l'appareil, le vider et le nettoyer conformément au chapitre 10.3. Interdire les accès non autorisés.

L'appareil doit être immédiatement déposé lors de dysfonctionnements graves comme le dégagement de fumée et l'apparition d'une forte odeur forte. Dans le cas où la batterie n'est pas encore trop chaude et où il n'y a pas encore de flammes, retirer la Batterie de l'appareil et la déposer sur un support ignifuge. S'éloigner de l'appareil. En cas de feu, contactez immédiatement les pompiers. Faites immédiatement contrôler l'équipement par un atelier spécialisé agréé.

## 6.3 Un contact sécurisé avec les produits d'aspersion





- Éviter toute contamination de l'environnement, de la tuyauterie et/ou de la canalisation avec des agents d'aspersion et des produits de nettoyage ! Exclure toute contamination durant le mélange, le remplissage, l'application, la vidange, le nettoyage, l'entretien et le transport.
- Toujours collecter les agents d'aspersion et les produits de nettoyage (y compris les restes) dans des récipients adéquats et les déposer à des sites de collecte indiqués par l'administration communale.
- En cas de contact de la peau ou des yeux avec par un agent de dispersion, immédiatement laver ou bien rincer abondamment les parties du corps touchées avec de l'eau propre et immédiatement consulter un médecin.
- Immédiatement changer les vêtements trempés de produit d'aspersion.
- Ni manger ni boire pendant la manipulation des produits d'aspersion.
- Si deviez avoir des nausées en travaillant ou éprouver une fatigue excessive, cessez immédiatement le travail. Si cet état devait persister, consultez immédiatement un médecin.
- N'autorisez jamais des enfants ou des personnes non familiarisées avec la manipulation de produits de dispersion à travailler avec ces mêmes produits.
- Ne mélangez jamais différents produits de dispersion dans le réservoir.
- Indiquez le nom du produit de dispersion sur l'appareil et rectifiez celui-ci à chaque changement de produit.
- En cas de changement de produit, nettoyer le réservoir à produit d'aspersion et toutes les parties en contact avec le produit d'aspersion. Utilisez pour commencer l'appareil avec de l'eau propre avant de verser le nouveau produit de dispersion.
- Lors de la fin du travail, vider et nettoyer l'appareil conformément au chapitre 10.3, se laver le visage et les mains en profondeur, retirer les vêtements de travail et les laver régulièrement.



#### 6.4 Du bon emploi de la batterie et du chargeur

- Le chargeur doit être utilisé exclusivement pour charger la batterie d'origine de ce pulvérisateur à dos sans fil à l'intérieur.
- Le réseau électrique doit correspondre aux informations doivent correspondre aux informations sur le chargeur en ce qui concerne le niveau, le type et la fréquence de la tension de service. La prise doit convenir précisément à la fiche d'alimentation du chargeur.
- Le processus de charge ne doit pas être entrepris au cours d'absences prolongées (vacances).
- Après la charge, débranchez immédiatement le chargeur de la source d'alimentation.
- Pour le branchement et le débranchement au secteur, toujours agir directement sur la prise, ne jamais tirer sur le câble.
- Ne jamais relier les deux contacts de la batterie (+ / -) à un objet conducteur (risque de court-circuit). Exclure également la possibilité d'un court-circuit des contacts lors du stockage de la batterie à l'extérieur de l'appareil.
- Pour nettoyer le chargeur, vous devez débrancher la fiche d'alimentation du réseau électrique. Maintenez le chargeur, la batterie et toute la partie électronique de l'appareil loin des projections d'eau. Pour nettoyer ces composants, utilisez uniquement un chiffon sec ou très légèrement humide.
- A l'intérieur du boîtier de la batterie se trouvent des substances dangereuses. Ne jamais ouvrir la batterie, ni le chargeur !
- Utiliser exclusivement le chargeur d'origine pour recharger la batterie.
- Ne jamais envoyer de batteries défectueuses ou usagées.

#### 6.5 Vêtements de travail / Équipement de protection personnel (EPP)

-  Le port d'habits de travail adéquats et conformes aux règlements est obligatoire. Ils doivent protéger toutes les parties du corps d'un contact avec les produits d'aspersion.
- Portez des chaussures solides avec des semelles antidérapantes.
-  Portez des gants de protection avec une face antidérapante.
-  Utilisez une protection du visage (p.ex. lunettes de protection).
-  Pour des travaux dans des serres, dans des plantes épaisses et hautes, dans des cuvettes ou des tombes, et pour l'emploi de produits d'aspersion dangereux, toujours porter un masque respiratoire.

#### 6.6 Avant et pendant le travail.

- Avant de commencer le travail, contrôlez le bon état de service de l'appareil entier suivant chapitre 10.1.
- L'appareil ne doit être utilisé que par une personne. Aucune autre personne ne doit se trouver dans un rayon de 15 m.
- Dans des conditions difficiles, dans des plantations épaisses et hautes, dans des serres, dans des cuvettes ou des tombes, veillez toujours pendant le travail à un renouvellement d'air suffisant.
- Restez toujours à portée de voix d'autres personnes qui pourraient fournir de l'aide en cas d'urgence.
- Faites des pauses régulièrement.
- Ne fumez pas sur le lieu de travail.
- En cas de problèmes graves ou accidents lors de l'utilisation, comme des dégagements de fumée, des fortes odeurs ou des apparitions de flammes sur l'atomiseur, veuillez immédiatement déposer l'appareil et prendre suffisamment de distance pour votre sécurité. En cas d'incendie, contactez aussitôt les pompiers.
- Avant allumage de la pompe, assurez-vous que la valve à gâchette est fermée. Maintenir la lance d'aspersion en direction d'un espace libre.

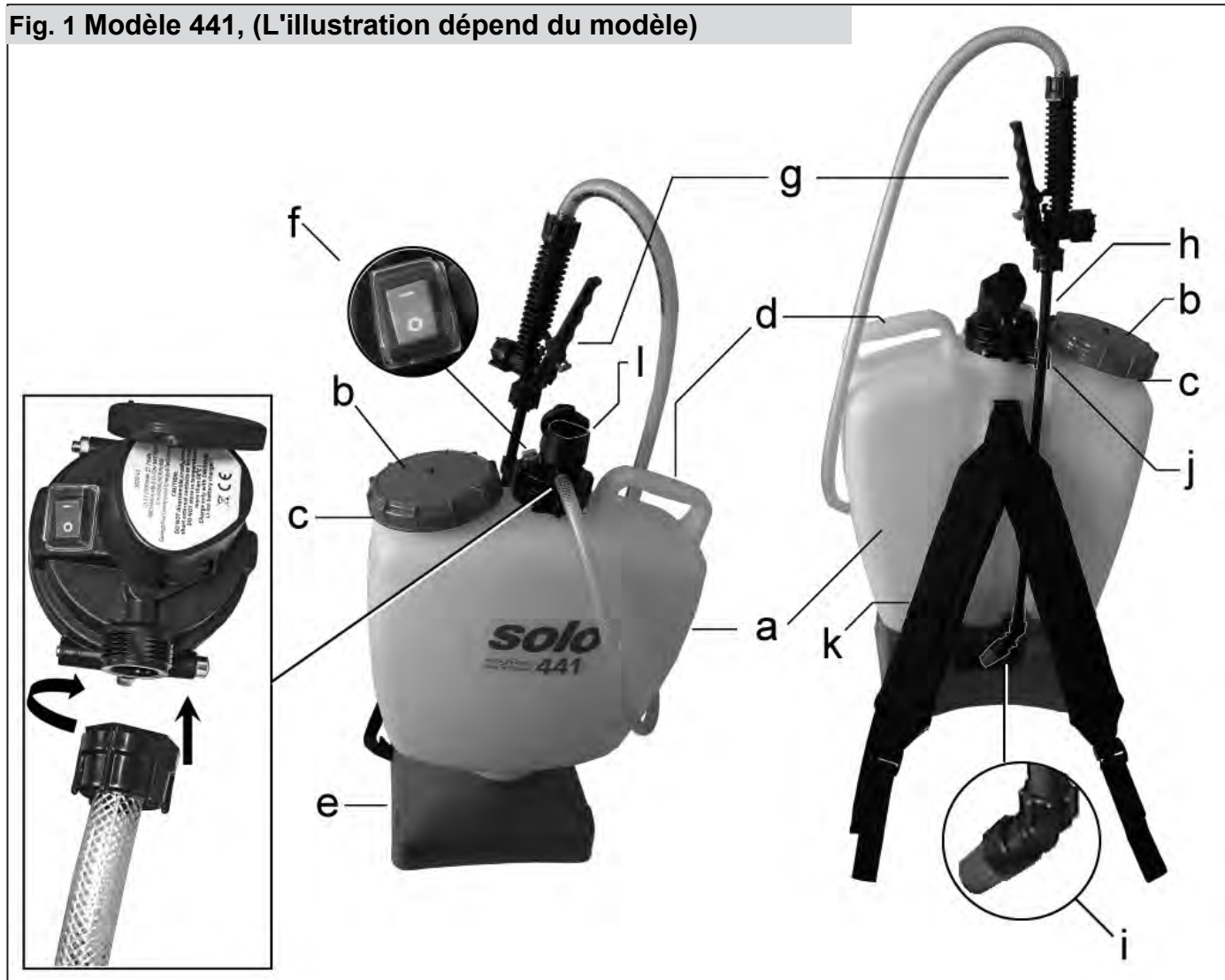
#### 6.7 Lors du transport de l'appareil

- Toujours éteindre la pompe pour un transport.
- Mettre l'appareil hors pression conformément au chapitre 9.2.
- Lors d'un transport en véhicule, on doit sécuriser l'appareil contre les chutes à l'aide de courroies solides.
- Prohiber tout écoulement de produit d'aspersion. Contrôler l'étanchéité du réservoir à produit d'aspersion et de tout tuyau ou canalisation de liquide d'aspersion.

#### 6.8 De la maintenance, des réparations et de l'entreposage

- N'effectuez vous-même que les opérations de maintenance ou de réparation décrites dans ce mode d'emploi d'origine. Tous les autres travaux sont à réaliser par un atelier spécialisé autorisé.
- L'appareil ne doit pas être entretenu, réparé ou entreposé à proximité d'une flamme.
  - Toujours éteindre la pompe avant les travaux de maintenance et de réparation.
  - Le tuyau sous pression, la valve à gâchette, la lance d'aspersion et la tête du gicleur ne doivent être démontés qu'en l'absence de pression. Tenir à cet effet le tube de pulvérisation lorsque la pompe est éteinte dans le réservoir à agent de pulvérisation ou un autre récipient approprié de réception et presser la soupape à main jusqu'à ce que plus aucun liquide ne soit conduit.

Fig. 1 Modèle 441, (L'illustration dépend du modèle)



### Montage du tuyau sur la pompe :

- Retirez et jetez le bouchon du port fileté de la pompe. Visser le tuyau avec l'écrou-raccord sur le raccord fileté de la pompe.

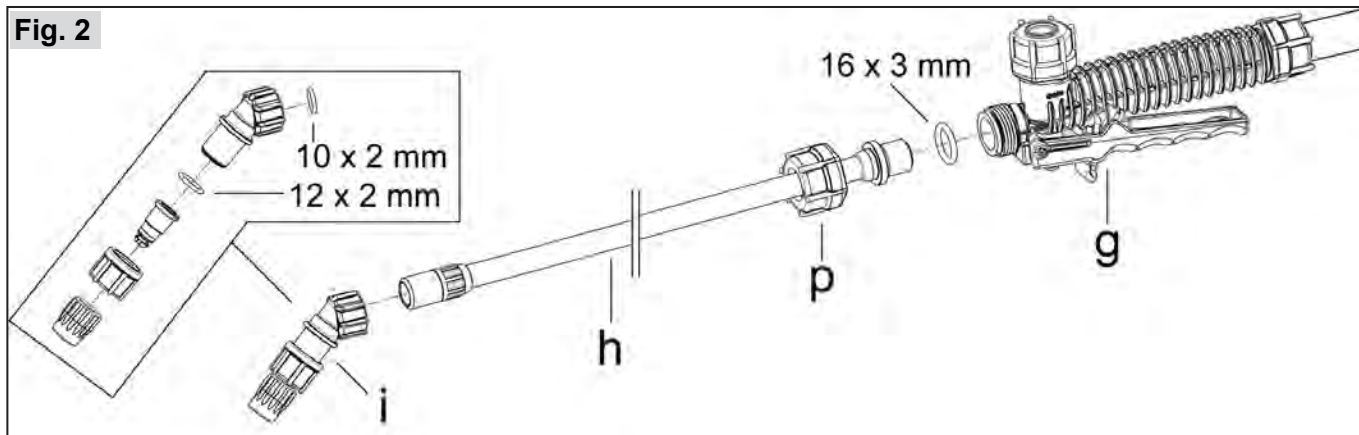
Lorsque celui-ci n'est pas utilisé, le tube de pulvérisation (h) est fixé sur le support du tube de pulvérisation (j).

Retirer toujours le tube de pulvérisation du côté ouvert (vertical par rapport à l'appareil), jamais latéralement !

- a. Réservoir à agent de pulvérisation
- b. Couvercle du réservoir vissé sur le goulot de remplissage (c)
- d. Poignée de support
- e. Socle
- f. Interrupteur marche/arrêt
- g. Soupape à main
- h. Tube de pulvérisation
- i. Embout de pulvérisation
- j. Support du tube de pulvérisation
- k. Harnais de transport
- l. batterie (Li-Ion)

## 7.1 Assemblage

### Montage du tube de pulvérisation (h) :

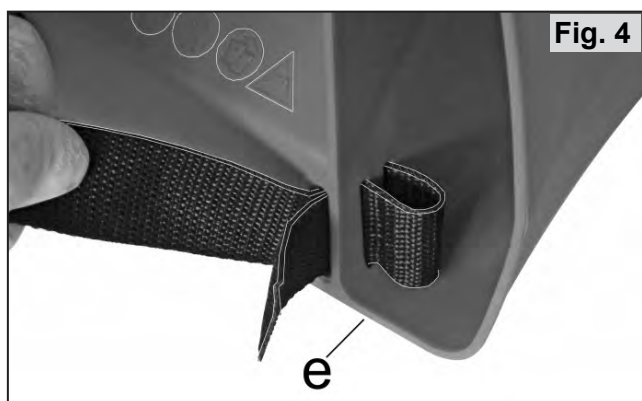


- Poser l'écrou de raccordement (p) et visser fermement à la main le tube de pulvérisation avec joint torique (16x3 mm) sur la soupape à main (g).
- Visser l'embout de la buse (i) fermement dans le tube de pulvérisation sans utiliser d'outil.

### Montage des bretelles



- Faites passer d'en haut selon la taille du corps la boucle de la bretelle (k) dans une des trois encoches de fixation de telle manière à ce que les deux attaches de réglage (s) montrent vers l'extérieur.
- Fixez la boucle d'en bas avec la broche de fixation (m).



- Faites respectivement passer les extrémités des bretelles à travers les fentes prévues à cet effet dans le socle (e).
- Serrez fermement les bretelles.

### 7.2 Ajustement de la longueur des bretelles



Les bretelles sont serrées en tirant les deux extrémités des sangles.



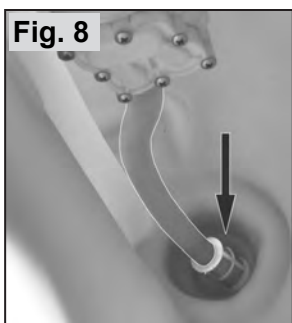
Les bretelles sont à nouveau relâchées en relevant les deux languettes de serrage.



### 7.3 Tamis de remplissage et crépine d'aspiration



Un tamis de remplissage (r) est intégré dans le goulot de remplissage (c) du réservoir à agent de pulvérisation.

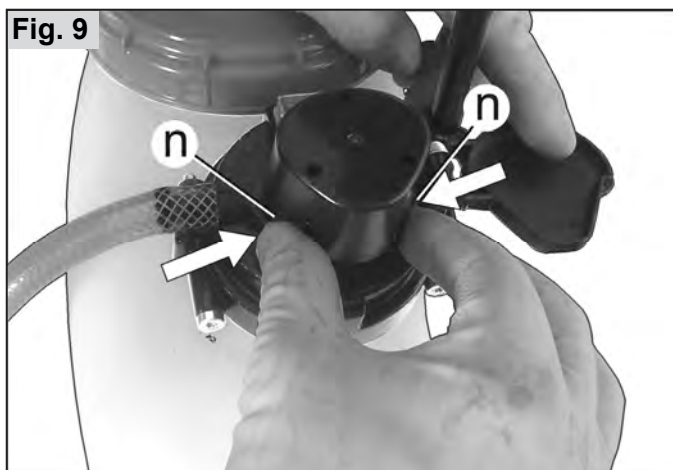


Dans le réservoir de pulvérisation, la crépine d'aspiration est fixée au tuyau d'admission de la pompe.

Tamis de remplissage et crépine d'aspiration sont obligatoires pour utiliser l'appareil.

### 7.4 Charge de la batterie

Placez toujours l'interrupteur de marche/arrêt sur « 0 » avant de retirer la batterie de l'appareil !



Pour retirer la batterie de l'appareil, appuyez sur les deux leviers de verrouillage (n) pour le déverrouiller et retirez la batterie vers le haut.

Avant la première mise en service du pulvérisateur, il est nécessaire de charger la batterie.

Temps de charge env. 2 heures

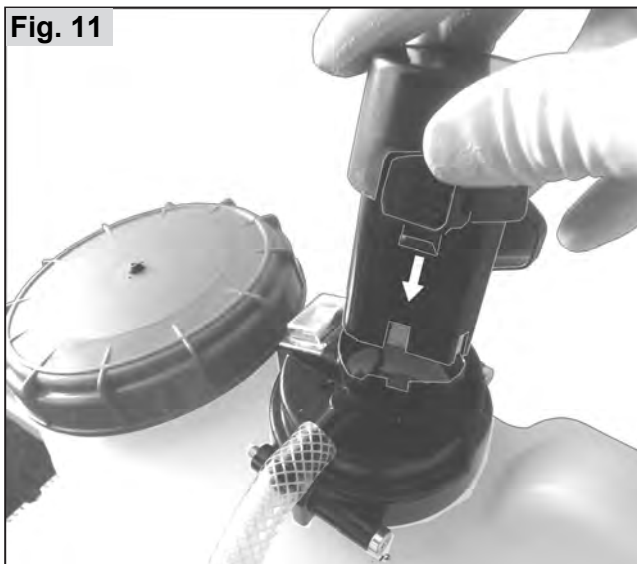
Poser le chargeur sur une support stable et branchez-le à un réseau électrique adapté.

Avant d'utiliser la batterie, s'assurer que les contacts de la batterie et du chargeur sont propres, secs et sans corps étrangers.



Insérez la batterie dans la position correcte (comme indiqué) dans le chargeur.

Pendant la durée de charge, la diode électroluminescente brille rouge. Quand la batterie est complètement chargée, la diode vire au vert. Après le chargement, retirez la batterie du chargeur et débranchez le chargeur du secteur.



Insérez la batterie dans la position correcte (comme indiqué) de dessus dans le chargeur jusqu'à ce que vous le sentiez s'enclencher. Contrôler que la batterie est bien positionnée.

### 7.5 Tour d'essai

Contrôler l'appareil avant la première utilisation avec un tour d'essai conformément au chapitre 10.2.



## 8 Appliquer l'agent de pulvérisation et remplir le réservoir d'agent de pulvérisation

Préparer l'agent de pulvérisation selon les prescriptions du fabricant de l'agent de pulvérisation.

Uniquement appliquer l'agent de pulvérisation à l'extérieur, jamais dans des espaces d'habitation, des écuries ou des espaces de stockage d'aliments ou de nourriture pour animaux. Pour remplir le réservoir de pulvérisation, retirez toujours la batterie rechargeable de l'appareil et fermez le couvercle de protection du compartiment de la batterie rechargeable.

Le tamis de remplissage (r) intégré dans le goulot de remplissage (c) est toujours à utiliser lors du remplissage du réservoir avec l'agent de pulvérisation.

Remplissez le réservoir au maximum jusqu'au marquage supérieur sur la face latérale du réservoir à agent de pulvérisation.

Un déversement du réservoir à agent de pulvérisation, une contamination des eaux publiques, des voies fluviales et d'égout sont à exclure.

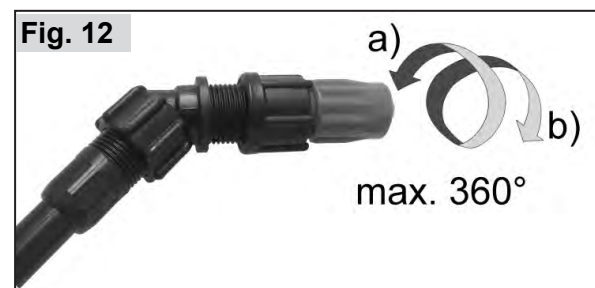
Immédiatement essuyer un déversement d'agent de pulvérisation.

Positionnez toujours le bouchon du réservoir bien droit lorsque vous le vissez, ne l'inclinez pas.

## 9 Utilisation de l'appareil

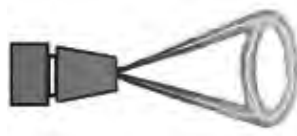
- Ne pas utiliser l'appareil en cas de vent ou de pluie.
- Contrôler avant le début du travail la direction du vent et choisir une direction de pulvérisation avec l'utilisateur le dos au vent.
- Ne pas pulvériser en direction de personnes, d'animaux, de portes et de fenêtres ouvertes, de voitures et autres pouvant être endommagés par l'agent de pulvérisation.
- Veiller à n'humidifier que ce qui doit vraiment être pulvérisé. Veillez lors de la pulvérisation à une répartition équilibrée et homogène de l'agent de pulvérisation sur les surfaces à traiter.

### Réglage du gicleur



a) Gicleur fermé  
→ jet à cône creux

Volume projeté à 2,5 bar :  
0.6 l/min [0.158 USgal/min]



b) Gicleur ouvert  
(à partir d'un demi-tour, 180° jusqu'à un tour au max., 360°)

→ jet puissant étroit

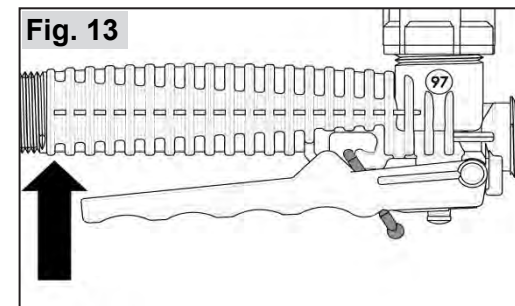
Volume projeté à 2.5 bar: 1.6 l/min  
[0.422 USgal/min]



### Pulvérisateurs :

Lorsque la vanne manuelle est fermée (g) (vanne manuelle non actionnée) allumez la pompe avec l'interrupteur marche/arrêt (f).

Tenir le tube de pulvérisation dans la main au niveau de la soupape de pulvérisation.



Pour pulvériser, actionner la soupape à main.

La procédure de pulvérisation est interrompue en relâchant la soupape à main.

Une fois avoir desserré l'écrou de raccordement, le tube de pulvérisation peut être tourné au niveau de la soupape à main pour une pulvérisation sous les feuilles.

Si l'agent de pulvérisation n'est pas répandu correctement, la buse sont éventuellement à nettoyer (chapitre 10.3) ou à remplacer.

Si la puissance de pulvérisation diminue considérablement, arrêtez la pulvérisation et chargez la batterie. (chapitre 7.4)

Lorsque le travail est interrompu et que l'appareil est retiré du dos, la pompe doit toujours être arrêtée avec l'interrupteur marche/arrêt.

### 9.1 Quantité résiduelle de l'agent de pulvérisation

L'agent de pulvérisation n'est plus correctement alimenté à partir d'une quantité résiduelle de moins de 200 ml dans le réservoir à agent de pulvérisation. Verser si nécessaire à nouveau de l'agent de pulvérisation ou pour terminer la pulvérisation mélanger cette quantité restante avec 2 litres d'eau propre et répandre sur les surfaces traitées.

### 9.2 Achèvement de la procédure de pulvérisation

Lors de la fin du travail, éteindre la pompe avec l'interrupteur marche/arrêt.

Pour mettre l'appareil hors pression, tenir le tube de pulvérisation lorsque la pompe est éteinte dans

le réservoir à agent de pulvérisation ou un autre récipient approprié de réception et presser la soupape à main jusqu'à ce que plus aucun liquide ne sorte.

Retirer la batterie et la stocker de façon sûre.

Vider et nettoyer l'appareil conformément au chapitre 10.3, nettoyer le visage et les mains en profondeur, enlever les vêtements de travail et les laver régulièrement.

## 10 Entretien, nettoyage et conservation

### 10.1 Programme d'entretien

Avant le début du travail :

- Contrôler l'état fiable de fonctionnement de l'ensemble de l'appareil :
  - Contrôle visuel de l'appareil
  - Contrôler l'étanchéité de tous les éléments de l'appareil (à pression maximale admissible avec soupape à main ouverte et fermée).
  - Contrôler le bon état de fonctionnement de tous les éléments de fonctionnement (interrupteur marche/arrêt, soupape à main)
  - Contrôler les tuyaux et leurs raccords vissés.
  - Contrôle visuel du tamis de remplissage

Après la fin du travail, lors du remplacement de l'agent de pulvérisation, en cas de besoin :

- Nettoyer le réservoir à agent de pulvérisation chapitre 10.3
- Nettoyer les buses chapitre 10.3
- Nettoyer le tamis de remplissage chapitre 10.3

### 10.2 Tour d'essai

Il est à vérifier comme suit au début de la saison de pulvérisation et dans un rythme mensuel par un tour d'essai avec de l'eau propre :

- Étanchéité de tous les éléments de l'appareil au fonctionnement de la pompe avec vanne manuelle ouverte et fermée
  - Fonctionnement de la vanne manuelle : lorsque la vanne manuelle est fermée (vanne manuelle non actionnée), aucun agent de pulvérisation ne peut s'échapper.
  - L'exactitude du dosage et de la répartition
- Ne pas utiliser l'appareil en cas d'irrégularités, d'endommagement, de fuites ou de limitations dans le fonctionnement mais au contraire le faire contrôler sans tarder par un atelier spécialisé.

### 10.3 Vider le réservoir, nettoyer les pièces conduisant l'agent de pulvérisation

Éteindre la pompe, mettre l'appareil hors pression, retirer la batterie et la stocker de façon sûre.

Vider quotidiennement après utilisation le réservoir, toutes les pièces conduisant de l'agent de pulvérisation et le tamis de remplissage et bien les rincer avec de l'eau propre.

Une attention particulière doit être apportée aux pièces d'usure telles que les buses et joints.

Suivre les consignes de nettoyage dans le manuel d'origine d'utilisation de l'agent de pulvérisation.

Ne jamais utiliser de détergents agressifs, acides ou comprenant des solvants (p.ex. de l'essence).

Après le nettoyage, faire sécher le réservoir à agent de pulvérisation à l'état ouvert.

Nettoyer la buse de pulvérisation et le tamis de remplissage

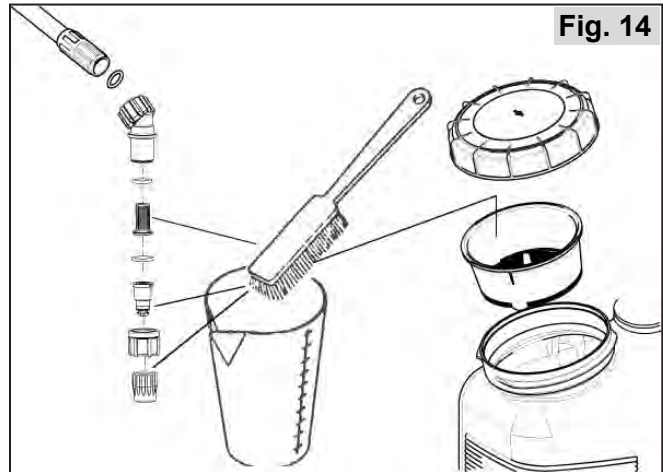


Fig. 14

- Rincer l'embout de buse avec de l'eau propre.
- Mettre l'embout de buse en pièces.
- Nettoyer le joint torique, la buse de pulvérisation et le tamis de remplissage avec de l'eau propre et une brosse douce.  
Ne pas souffler avec la bouche sur la buse de pulvérisation !  
Ne pas nettoyer les buses avec des objets durs !
- Visser à nouveau ensemble les pièces individuelles de l'embout buse (Fig. 2).

### 10.4 Mise à l'arrêt et conservation

Éteindre la pompe, mettre l'appareil hors pression, retirer la batterie et la stocker de façon sûre.

Vider et nettoyer l'appareil conformément au chapitre 10.3.

Conservé l'appareil à l'abri des rayons du soleil dans un espace sec, à l'abri du gel et sûr avec une température ambiante jusqu'à 35°C max.

Il ne doit pas se trouver de flamme nue ou similaire à proximité.

Exclure une utilisation non autorisée - en particulier par des enfants.

## 11 Plaque signalétique



Fig. 15 **Modèle 441**, (L'illustration dépend du modèle):

**a** : Désignation du type

**b** : Numéro de série

**c** : Mois/année de fabrication

## 12 Données techniques

Modèle	411	441
Réservoir à agent de pulvérisation : Volumes totaux Quantité max de remplissage	13 l [3.4 gal] 10.0 l [2.6 gal]	17.8 l [4.7 gal] 16.0 l [4.2 gal]
Quantité résiduelle, que l'appareil ne répand pas correctement	< 200 ml [6.8 oz]	
Système de pompage	SOLO Pompe à membrane	
Pression de service	2.5 bar [36 psi]	
Température admissible de service	0–40 °C [32–104 °F]	
Tuyau pression : Longueur	1,300 mm [51.2"]	
Quantités répandues	0.6 l – 1.6 l [0.158–0.422 USgal]	
Tamis de remplissage : Maillage	1.8 mm [0.071"]	
Crépine d'aspiration (acier inoxydable) Maillage	0.35 mm [0.014"]	
Poids : Prêt à l'emploi sans agent de pulvérisation, sans batterie rechargeable Prêt à l'emploi avec remplissage quantité maximale	3.5 kg [7.7 lbs] 13.6 kg [30.0 lbs]	3.7 kg [8.1 lbs] 19.8 kg [43.7 lbs]
Dimensions : (sans tube de pulvérisation et tuyau à pression) hauteur largeur profondeur	547 mm [21.5"] 390 mm [15.4"] 245 mm [9.6"]	622 mm [24.5"] 390 mm [15.4"] 245 mm [9.6"]
Batterie (Li-Ion) : tension nominale puissance	11,1 V 2.5 Ah	
Chargeur : tension nominale d'entrée fréquence du secteur tension nominale de sortie intensité max. de charge protection du chargeur / classe de protection	100–240 V AC 50/60 Hz DC 12.6 V 1.5 A IP 20 / II	
Temps de charge à partir d'une charge minimale de la batterie	env. 1.9 h	
Durée de service par cycle de charge avec gicleur standard : (0,6L/min@2,5bar):	env.. 2.8 h	
Niveau de pression acoustique <sup>1</sup> L <sub>Peq</sub>	selon EN ISO 3744 < 70 dB(A)	
Niveau de puissance acoustique <sup>1</sup> L <sub>W<sub>eq</sub></sub>	selon EN ISO 3744 < 70 dB(A)	
Accélération de vibration <sup>1</sup> a <sub>hv,eq</sub>	selon EN ISO 5349 < 2.0 m/s <sup>2</sup> [78.7 "/s <sup>2</sup> ]	

<sup>1</sup> Lors de la détermination des valeurs susmentionnées de l'accélération de vibration et de son, les différents états de fonctionnement ont été pondérés conformément à la norme respectivement valable.

## Manual original

### 1 General

¡Lea atentamente este manual de empleo antes de la primera puesta en funcionamiento y respete imprescindiblemente las prescripciones de seguridad!

Reservados los derechos a cambios en el alcance del suministro en cuanto a forma, técnica y de la entrega en forma, técnica y equipamiento. No se pueden derivar reclamaciones de los datos e ilustraciones de este manual de instrucciones original.

Desechar correctamente el embalaje y el dispositivo al final de su vida útil, de acuerdo con las regulaciones locales.

### 2 piezas de desgaste

Las siguientes piezas de desgaste no están sujetas a la garantía del fabricante:

\* Todas las piezas de goma que entran en contacto con los aerosoles, \* boquillas, \* filtros, \* sellos,\* Batería

### 3 Garantía

Tenga en cuenta que en algunos países se aplican condiciones de garantía específicas. En caso de duda, pregunte a su vendedor.

No se aplica ninguna garantía por las siguientes causas de daños:

- No observar el manual de instrucciones original.
- Omisión de los trabajos de mantenimiento y limpieza necesarios.
- Desgaste por el uso normal
- Uso de herramientas de trabajo no permitidas.
- Uso de fuerza, manipulación inadecuada, mal uso o accidente.
- Intervenciones de personas no autorizadas o reparaciones incorrectas.
- Modificaciones no autorizadas en el dispositivo.
- Uso de piezas de repuesto inadecuadas o piezas no originales.
- Uso de aerosoles no permitidos.
- Daños resultantes de las condiciones de funcionamiento del negocio de alquiler.

Cualquier trabajo de garantía debe ser realizado por uno de nuestros distribuidores autorizados. Los trabajos de limpieza, mantenimiento y ajuste no se reconocen como garantía.

### 4 Alcance de suministro

- Dispositivo básico con válvula manual en la manguera de presión
- Tubo de pulverización
- Acoplamiento de boquilla premontado, incl. boquilla
- Piezas de montaje tuerca de unión, junta tórica

- Correa de hombro y perno de fijación
- Batería
- Cargador

### 5 Símbolos



Leer atentamente el manual de instrucciones original.



¡PELIGRO! El incumplimiento de lo dispuesto en el manual de instrucciones original puede provocar accidentes con lesiones.



Usar ropa de protección adecuada.



Usar guantes de protección.



Usar protección facial (p. e., gafas de protección).



Usar mascarilla respiratoria.



Prohibido fumar.



Ningún fuego abierto (llama).



Distancia mínima a otras personas: 15 m



No tire los aparatos eléctricos usados junto con la basura doméstica. El equipo, batería y sus accesorios deben depositarse en los puestos oficiales de reciclaje para aparatos eléctricos para su posterior eliminación.



El dispositivo y la batería no deben exponerse a salpicaduras de agua o precipitaciones.

### 6 Normas de seguridad

#### 6.1 Uso previsto / Áreas de aplicación

- Utilizar el dispositivo únicamente para aplicar plaguicidas líquidos, pesticidas, herbicidas y fertilizantes líquidos disponibles en distribuidores autorizados y aprobados por las autoridades locales/nacionales para su uso con dispositivos de pulverización portátiles y para la aplicación de agua limpia.
- Seguir cuidadosamente la información del agente de pulverización, especialmente las instrucciones relativas al equipo de protección personal.
- Las áreas de aplicación son en agricultura, en viveros y silvicultores, en cultivos de frutas, vino y hortalizas, en áreas domésticas y de jardín, así como en cultivos de invernadero con ventilación suficiente.
- ¡Para todos los demás fines, como para la aplicación de otros medios distintos a los mencionados líquidos, no debe utilizarse el dispositivo! En particular, no se pueden aplicar



ácidos, soluciones alcalinas ni líquidos que contengan disolventes.

- No utilizar líquidos con temperaturas superiores a 40°C.
- No utilizar productos inflamables.

## 6.2 Instrucciones generales de seguridad

Leer el manual de instrucciones original antes del primer uso y guardarlo en un lugar seguro.

El incumplimiento de la información contenida en este manual de instrucciones original puede ser peligroso para la vida; el usuario es responsable de todos los daños y consecuencias.

El manual de instrucciones original debe estar siempre disponible en el lugar de uso.

Debe ser leído por todas las personas que sean responsables de trabajar con y en el dispositivo (también en el mantenimiento, conservación y reparaciones).

- Permita que un distribuidor especializado de SOLO le muestre y explique el manejo seguro.
- Las personas menores de 18 años pueden usar este dispositivo sólo bajo supervisión.
- Las personas con implantes médicos deben consultar a un médico antes de usar este dispositivo u obtener información del fabricante del implante.
- Mantenga a las personas y animales alejados del área de trabajo. Nunca pulverice en dirección a personas, animales y objetos que puedan dañarse.
- Este dispositivo sólo puede entregarse a personas que estén familiarizadas con este tipo, su funcionamiento y el manual de instrucciones original.
- Si trabaja con este dispositivo, debe estar en buena forma, bien equilibrado y saludable.
- Bajo la influencia del alcohol, drogas o drogas no utilizar este dispositivo.
- No modifique ningún dispositivo de seguridad o control existente.
- Utilice el dispositivo únicamente en condiciones seguras. Antes de cada uso se debe supervisar según el cap. 10.1.
- Reemplazar inmediatamente cualquier pieza dañada. Utilizar únicamente repuestos originales SOLO.
- Usar exclusivamente la batería original. Los accesorios y componentes deben estar aprobados para este dispositivo.
- Para almacenar el dispositivo, vaciarlo y limpiarlo según las instrucciones del cap. 10.3. Evitar el acceso no autorizado.

En caso de averías, como desprendimiento de humo o fuertes olores, el equipo debe ser bajado inmediatamente. Si todavía no se puede ver llamas y la batería no está muy caliente, se debe sacarla del equipo y colocarla en una superficie

resistente al fuego. Hay que mantener suficiente distancia de seguridad. En caso de incendio, se debe informar a los bomberos de inmediato. Haga que un taller especializado autorizado revise el equipo inmediatamente.

## 6.3 Manejo seguro con aerosoles

- Asegurar que no haya contaminación del medio ambiente, de la red de tuberías de agua y/o del sistema de alcantarillado con aerosoles y detergentes al mezclar, llenar, aplicar, vaciar, limpiar, mantener y transportar mediante procedimientos adecuados y recipientes colectores.
- Recoger el aerosol y el detergente (también residuos) en recipientes adecuados y depositarlos en los puntos de recogida indicados por las autoridades municipales.
- En caso de contacto del aerosol con la piel o los ojos, enjuagar las partes afectadas del cuerpo inmediatamente con agua abundante, limpia y solicite atención médica inmediata.
- Cambie inmediatamente la ropa mojada con el aerosol.
- No coma, beba ni fume durante el manejo de aerosoles.
- Si se siente mal en el trabajo, o se cansa excesivamente, abandone de inmediato el trabajo. Si este estado persiste, consulte a un médico inmediatamente.
- Nunca permita que niños o personas que no estén familiarizados con el uso de materiales de pulverización trabajen con aerosoles.
- Nunca rellene el tanque de pulverización con diferentes aerosoles..
- Debe escribir el nombre del aerosol utilizado en el equipo y actualizarlo con cada cambio de aerosol.
- Cuando cambie el aerosol, limpie el tanque de pulverización y todas las partes que conducen el aerosol. Antes de rellenar con el nuevo aerosol, utilizar el dispositivo con agua limpia.
- Al terminar el trabajo, vaciar y limpiar el dispositivo según el cap. 10.3, limpiar a fondo la cara y las manos, retirar la ropa de trabajo y lavarla con regularidad.

## 6.4 Funcionamiento seguro con la batería y el cargador

- El cargador solo se puede usar para cargar la batería original de este pulverizador de mochila con batería en espacios interiores.
- La cantidad, el tipo y la frecuencia de la tensión de funcionamiento deben corresponder a la información del cargador. El enchufe debe ajustarse exactamente al enchufe del cargador.
  - No realizar el proceso de carga durante una ausencia prolongada (vacaciones).

- Después de la carga, desconecte el cargador de la fuente de alimentación inmediatamente.
- Para conectar y desconectar el enchufe de alimentación tire del enchufe directamente, nunca del cable.
- No conecte nunca los dos contactos del cargador (+ / -) a través de un objeto conductor (cortocircuito). También se debe evitar la posibilidad de que ocurra un cortocircuito en los contactos cuando se almacena la batería fuera del dispositivo.
- Al limpiar el cargador, el enchufe debe estar desconectado de la red eléctrica. Mantenga el cargador, la batería y los circuitos electrónicos del aparato fuera del alcance de las salpicaduras de agua. Para limpiar estos componentes utilice exclusivamente un trapo seco o ligeramente humedecido.
- En el interior de la carcasa de la batería hay sustancias peligrosas. Por este motivo no debe abrir nunca la batería ni el cargador.
- Utilice sólo el cargador original para cargar la batería.
- No enviar nunca baterías defectuosas / usadas.
- En caso que se produzcan accidentes o incidentes durante el funcionamiento de la máquina tal como emisiones de humo, olores extraños o llamas, el aparato se ha de apagar de inmediato y se ha de colocar al suelo y se ha de mantener una distancia de seguridad. En caso de incendio se ha de llamar de inmediato a los bomberos.
- Antes encender la bomba procure que el grifo de cierre está cerrado. Oriente el tubo de rociado hacia un espacio libre.

### 6.7 Al transportar el dispositivo


- Antes de transportar el equipo apague siempre la bomba.
- Despresurizar el dispositivo según lo dispuesto en el cap. 9.2.
- Al transportar el dispositivo en vehículos, debe asegurarlo mediante correas.
- Se debe excluir la fuga de aerosoles. Debe comprobar la estanqueidad del tanque de pulverización y de todas las mangueras y tuberías de pulverización.

### 6.8 En el mantenimiento, reparación y almacenamiento

Realizar únicamente los trabajos de mantenimiento y reparación que se describen en este manual de instrucciones original. Todos los demás trabajos deben ser realizados por un taller especializado autorizado.

- No realizar el mantenimiento, reparaciones o almacenar el dispositivo cerca de un fuego abierto.
- Antes de cualquier trabajo de mantenimiento o reparación, apague siempre la bomba.
- La manguera de presión, la válvula manual, el tubo de pulverización y el acoplamiento de la boquilla sólo pueden desenroscarse cuando estén despresurizados. Para ello, sujete el tubo de pulverización con la bomba apagada en el tanque de aerosol o en un recipiente colector adecuado para aerosoles y accione la válvula manual hasta que ya no se transporte más líquido.

### 6.5 Ropa de trabajo / Dispositivo de Protección Personal (DPP)

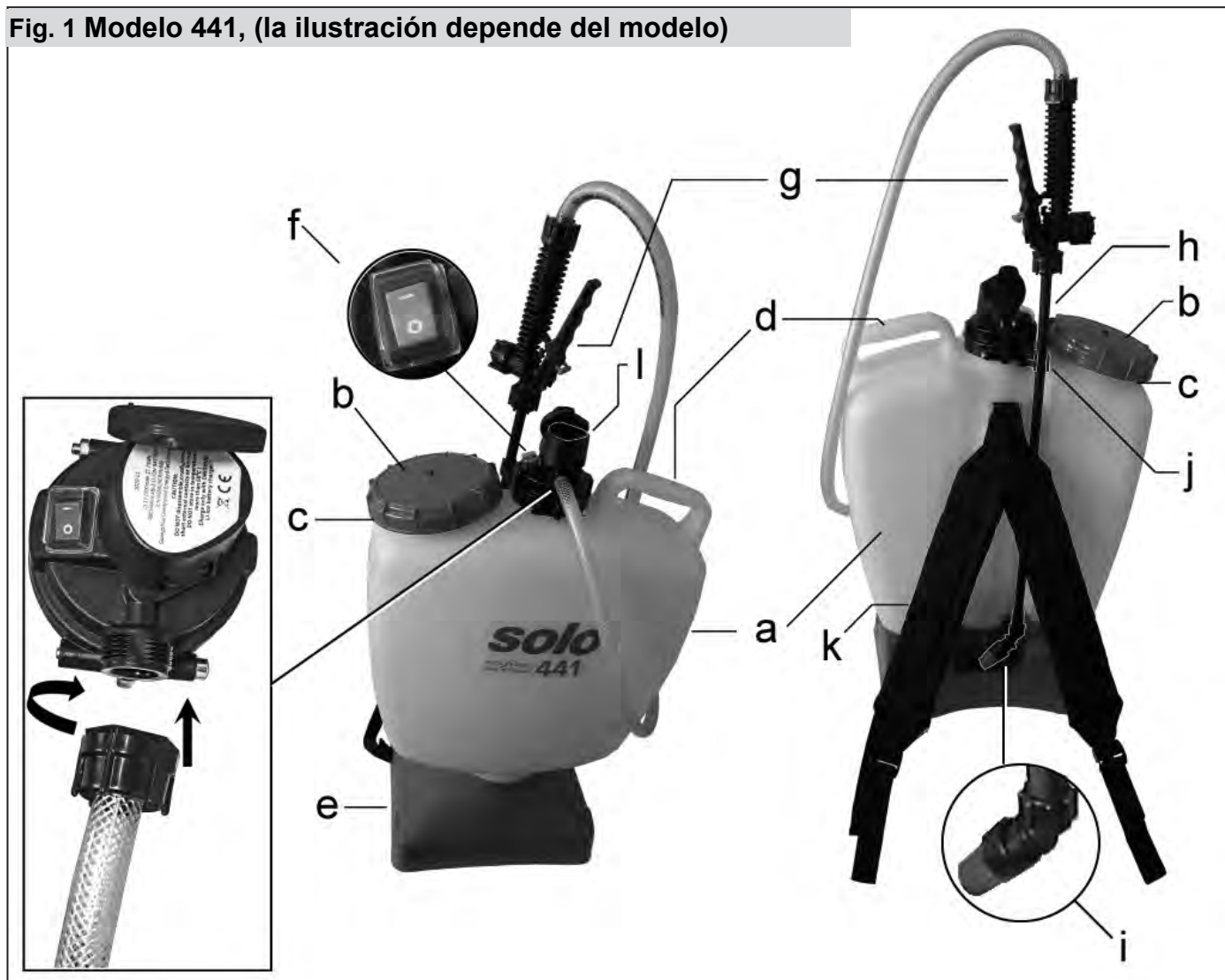
 Debe usarse ropa de protección apropiada y prescrita para proteger todas las partes del cuerpo del contacto con el material de pulverización.

- Use zapatos fuertes con una suela de agarre firme.
- Use guantes de protección con una superficie antideslizante.
- Utilice un protector facial (por ejemplo, gafas de protección).
- Al trabajar en plantaciones densas, altas, en invernaderos, en pozos o en zanjas, y cuando se usan pulverizaciones peligrosas siempre use mascarilla respiratoria.

### 6.6 Antes y durante el trabajo

- Antes de cada inicio de trabajo, comprobar la seguridad operativa del dispositivo completo según el cap. 10.1.
- El dispositivo sólo puede ser operado por una persona. No se permiten otras personas en un radio de 15 m.
- En plantas densas, en invernaderos, en comederos o en trincheras, asegúrese siempre de una ventilación adecuada.
- Mantenerse siempre en contacto con otras personas que pueden ayudar en situación de emergencia.
- Planificar a tiempo las pausas en el trabajo.
- No fume en el lugar de trabajo.

Fig. 1 Modelo 441, (la ilustración depende del modelo)



### Montaje de la manguera en la bomba:

- Retire y deseche el tapón del puerto roscado de la bomba. Atornille la manguera con la tuerca de unión en la conexión roscada de la bomba.

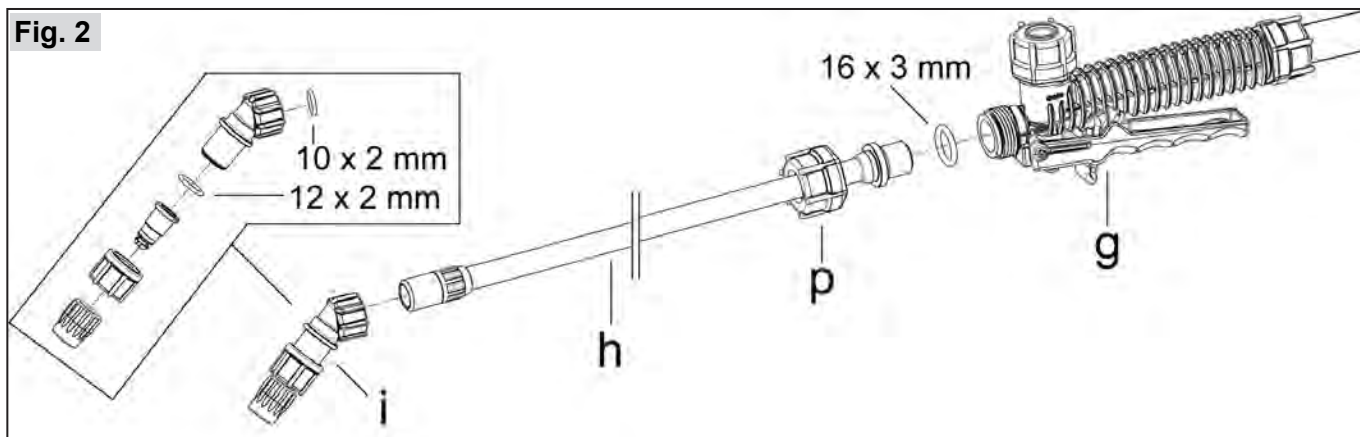
El tubo de pulverización (h) se coloca en el soporte del tubo de pulverización (j) cuando no se está utilizando.

¡Retirar siempre el tubo de pulverización hacia el lado abierto del soporte del tubo de pulverización (en vertical con relación al dispositivo), nunca hacia el lado!

- a. Tanque de aerosol
- b. Tapa del tanque *enroscada* en el orificio de llenado (c)
- d. Mango
- e. Soporte
- f. Interruptor de encendido
- g. Válvula manual
- h. Tubo de pulverización
- i. Acoplamiento de boquilla
- j. Soporte del tubo de pulverización
- k. Correa de hombro
- l. Batería

## 7.1 Montaje

### Montaje del tubo de pulverización (h):

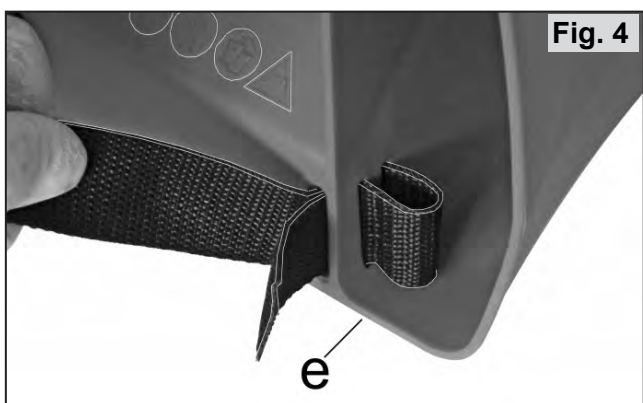


- Colocar la tuerca de unión (p) derecha y atornillar el tubo de pulverización con junta tórica (16x3 mm) fijo en la válvula manual (g).
- Atornillar el acoplamiento de boquilla (i) sin herramienta, fijada a mano al tubo de pulverización.

### Montaje de la correa de hombro



- Según la estatura, introducir la presilla superior de la correa de hombro (k) desde arriba en uno de los tres reguladores para que los dos pasadores de fijación (s) se encuentren en la parte exterior.
- Asegurar la presilla desde abajo con el perno de fijación (m).



- Pasar los extremos de la correa de hombro a través de las ranuras provistas en la base (e).
- Estirar la correa.

### 7.2 Ajuste de la longitud de la correa portadora



Al tirar hacia abajo de los dos extremos de la correa, se aprietan las correas.



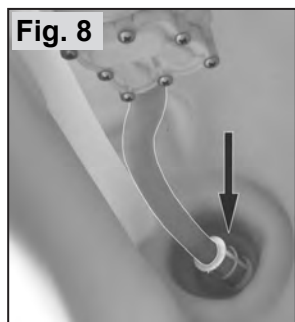
Al levantar las dos correderas se vuelven a aflojar las correas.



### 7.3 Colador de llenado y colador de succión



En el orificio de llenado (c) del tanque de aerosol está integrado un colador de llenado (r).

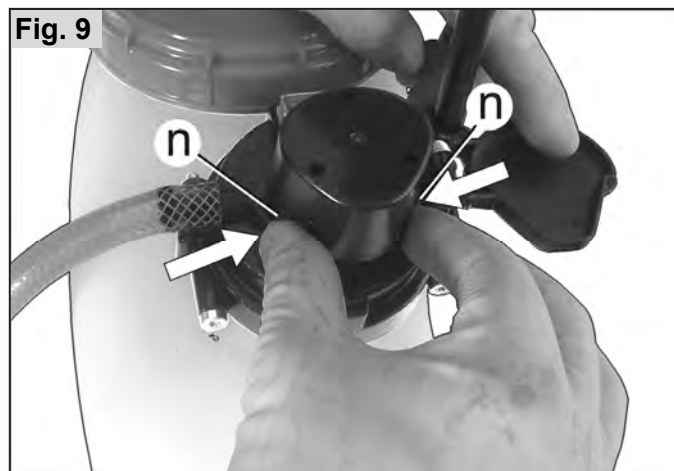


En el tanque de aerosol, el colador de succión está insertado en la manguera de succión a la bomba.

El colador de llenado y el colador de succión son obligatorios cuando se usa el dispositivo.

### 7.4 Carga de la batería

¡Antes de retirar la batería del dispositivo, ponga siempre el interruptor de encendido a "0"!



Para extraer la batería del dispositivo, presione las dos palancas de bloqueo (n) para desbloquear y retire la batería hacia arriba.

Antes de encender el pulverizador a presión deberá cargar la batería.

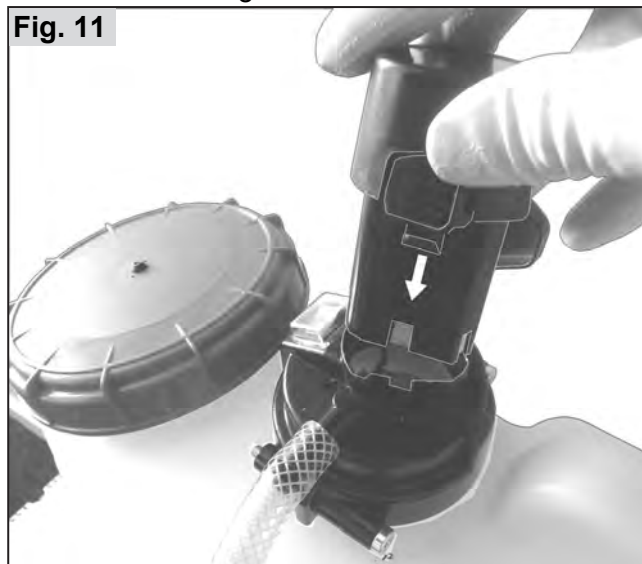
**Tiempo de carga:** aproximadamente 2 horas  
Coloque el cargador sobre una superficie estable y conéctelo a una fuente de alimentación adecuada.  
Antes de insertar la batería, asegúrese de que los contactos de la batería y el cargador estén limpios, secos y libres de objetos extraños.



Inserte la batería en la posición correcta (como en la imagen) en el cargador.

El diodo luminoso del cargador se iluminará en color rojo durante el proceso de carga. Si la batería está totalmente cargada, el diodo luminoso se iluminará en el cargador en color verde.

Después de cargar, retire la batería del cargador y desconecte el cargador de la red eléctrica.



Insertar la batería en la posición correcta (como en la imagen) desde arriba en el dispositivo hasta que esta de enganche de manera evidente. Comprobar que la batería esté correctamente insertada.

### 7.5 Prueba

Antes de utilizar el dispositivo por primera vez, comprobar el dispositivo con una prueba de funcionamiento según el cap. 10.2.

## 8 Aplicar aerosol y rellenar tanque de aerosol

Aplicar el aerosol de acuerdo con las instrucciones del fabricante de aerosol.

Aplicar e aerosol sólo al aire libre, nunca en las viviendas, establos o áreas de almacenamiento de alimentos y piensos.

Para llenar el tanque de rociado, retire siempre la batería recargable de la unidad y cierre la cubierta protectora del compartimento de la batería recargable.

Cuando llene el tanque de aerosol, use siempre el

colador de llenado (r) integrado en el orificio de llenado (c).

Llenar el tanque como máximo hasta la marca al lado del tanque de aerosol.

Se excluirá un desbordamiento del tanque de aerosol, la contaminación de las aguas públicas, de la lluvia y de las alcantarillas.

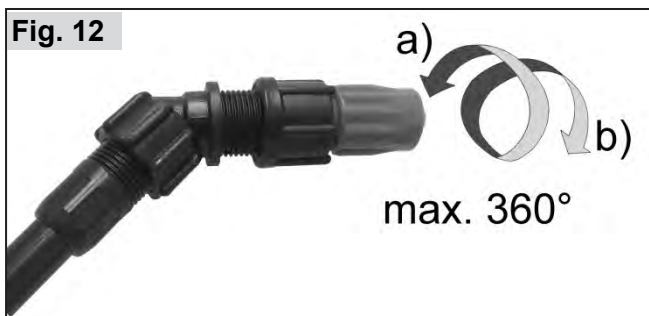
Limpier inmediatamente el aerosol derramado.

Siempre coloque la tapa del tanque recta cuando la atornille, no la incline.

## 9 Uso del dispositivo

- No utilizar el equipo en caso de viento o lluvia.
- Antes de iniciar el trabajo, comprobar la dirección del viento y seleccione la dirección de pulverizado contraria al usuario.
- No pulverice en dirección a personas, animales, puertas y ventanas abiertas, automóviles o cualquier otra cosa que pueda dañarse con el pulverizado.
- Asegúrese de que sólo se humedezca lo que realmente debe ser pulverizado. Al pulverizar, asegure una distribución uniforme y una fijación homogénea del aerosol sobre las superficies a tratar.

### Ajuste de la tobera



a) Tobera cerrado

→ patrón de rociado:  
cono vacío

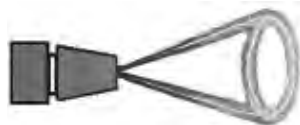
Caudal de rociado a 2,5 bar: 0,6 l/min

b) Tobera abierto

(a partir de 1/2 revolución 180° hasta  
máx. 1 revolución, 360°)

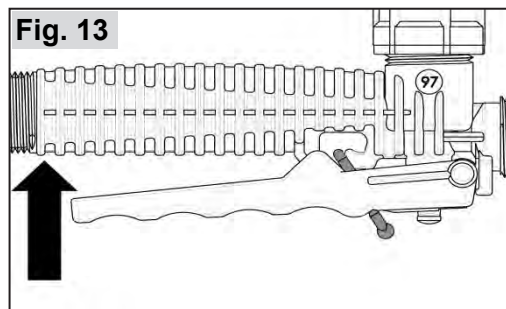
→ patrón de rociado:  
haz estrecho y fuerte

Caudal de rociado a 2,5 bar: 1,6 l/min



Con la válvula manual cerrada (g) (válvula manual no accionada) encender la bomba con el interruptor de encendido (f).

Sujetar el tubo de pulverización en la válvula manual en la mano.



Para pulverizar, activar la válvula manual.

Al soltar la válvula manual, se interrumpe el proceso de pulverizado.

El tubo de pulverización se puede girar en la válvula manual, para pulverizar la parte inferior de las hojas, después de aflojar la tuerca de unión.

Si el aerosol no se aplica correctamente, limpiar la boquilla (capítulo 10.3) o reemplazarlo.

Si la potencia de pulverización cae significativamente, deje de pulverizar y cargue la batería. (cap. 7.4)

En el caso de una interrupción del trabajo, en la que se quite el dispositivo de la espalda, la bomba debe desconectarse siempre mediante el interruptor de encendido.

### 9.1 Cantidad residual de aerosol

A partir de una cantidad residual de menos de 200 ml en el tanque de aerosol, el aerosol ya no se transmite correctamente. Si es necesario, agregar otro aerosol o diluir esta cantidad residual con 2 litros de agua limpia hasta el final de la pulverización y aplicar sobre la superficie tratada.

### 9.2 Terminar el proceso de pulverización

Al terminar el trabajo, apagar la bomba con el interruptor de encendido.

Para despresurizar el dispositivo, sujetar el tubo de pulverización con la bomba apagada en el tanque de aerosol o en un recipiente colector adecuado para aerosoles y accionar la válvula manual hasta que ya no salga más líquido.

Retirar la batería y guardarla de forma segura.

Vaciar y limpiar el dispositivo según el cap. 10.3, limpiar a fondo la cara y las manos, retirar la ropa de trabajo y lavarla con regularidad.

Pulverizar:

## 10 Mantenimiento, limpieza y almacenamiento

### 10.1 Plan de mantenimiento

#### Antes de iniciar el trabajo:

- Comprobar el funcionamiento seguro del dispositivo:
  - Control visual del dispositivo
  - Comprobar la estanqueidad de todas las piezas del equipo (con la presión máxima permitida con la válvula manual abierta y cerrada)
  - Verificar el funcionamiento correcto de todas las partes funcionales (interruptor de encendido, válvula manual)
  - Comprobar las líneas de mangueras y sus conexiones atornilladas.
  - Control visual del colador de llenado

#### Después del trabajo, al cambiar el aerosol, si es necesario:

- Limpiar el tanque de aerosol Cap. 10.3
- Limpiar boquillas Cap. 10.3
- Limpiar el colador de llenado Cap. 10.3

### 10.2 Prueba

Al comienzo de la temporada de pulverización y en un ciclo mensual, se realizarán los siguientes ensayos con agua limpia:

- Estanqueidad de todas las piezas del equipo en el funcionamiento de la bomba con la válvula manual abierta y cerrada
- Funcionamiento de la válvula manual; con la válvula manual cerrada (válvula manual no está activada), no puede escapar ningún aerosol.
- Precisión de dosificación y distribución

En caso de irregularidades, daños, fugas o integridad funcional restringida, no utilice el dispositivo, envíelo a revisión inmediatamente a un taller especializado.

### 10.3 Vaciar el tanque de aerosol y limpiar las piezas de pulverización

Desconectar la bomba, despresurizar el dispositivo, retirar la batería y guardarla de forma segura.

Vaciar el tanque de aerosol, todas las piezas de pulverización y el colador de llenado todos los días después del uso y enjuagarlos bien con agua limpia.

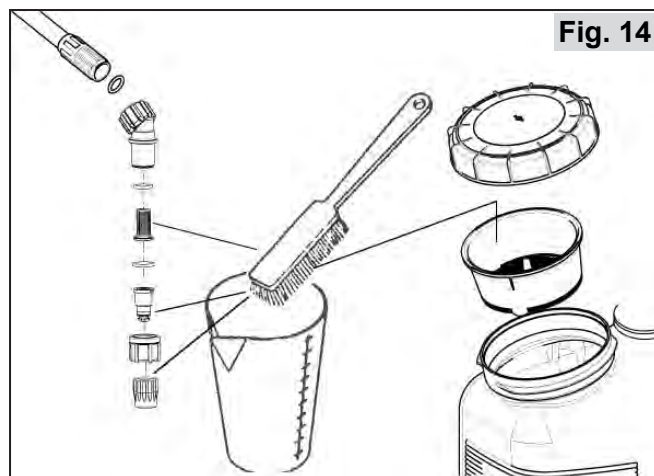
Prestar especial atención a piezas de desgaste, como boquillas y sellos.

Observar las instrucciones de limpieza en el manual de instrucciones original del aerosol.

Nunca utilice productos de limpieza agresivos, ácidos o de base disolvente (por ejemplo, gasolina).

Dejar que el tanque de aerosol se seque abierto después de la limpieza.

#### Limpiar boquilla y colador de llenado:



- Enjuagar el acoplamiento de boquilla con agua limpia.
- Desmontar el acoplamiento de boquilla.
- Limpiar las juntas tóricas y el colador de llenado con agua limpia y un cepillo suave.  
¡No soplar la boquilla con la boca!  
¡No limpiar las boquillas con objetos duros!
- Volver a montar las partes de la boquilla (Fig. 2).

### 10.4 Desmantelamiento y almacenamiento

Desconectar la bomba, despresurizar el dispositivo, retirar la batería y guardarla de forma segura.

Vaciar y limpiar el dispositivo según Cap. 10.3.

Almacenar el dispositivo protegido de la luz solar en un lugar seco, libre de escarcha y seguro a una temperatura ambiente de máx. 35°C

No debe haber fuego abierto o similares en las inmediaciones.

Evitar el uso no autorizado - especialmente por los niños.

## 11 Placa de características



Fig. 15 Modelo 441, (la ilustración depende del modelo):

a: Denominación del modelo

b: Número de serie

c: Mes / año de fabricación

## 12 Datos técnicos

Modelo		411	441
Tanque de aerosol:	Volumen total	13 l [3.4 gal]	17.8 l [4.7 gal]
	Llenado máx.	10.0 l [2.6 gal]	16.0 l [4.2 gal]
Residuo, que el dispositivo ya no emite correctamente		< 200 ml [6.8 oz]	
Sistema de bombeo		SOLO Bomba de membrana	
Presión de funcionamiento		2.5 bar [36 psi]	
Temperatura de funcionamiento permitida		0–40 °C [32–104 °F]	
Manguera de presión:	Longitud	1,300 mm [51.2"]	
Caudal de salida		0.6 l – 1.6 l [0.158–0.422 USgal]	
Colador de llenado:	Ancho de malla	1.8 mm [0.071"]	
Colador de succión (acero inoxidable)	Ancho de malla	0.35 mm [0.014"]	
Peso:	Listo para usar, sin aerosol, sin batería recargable	3.5 kg [7.7 lbs]	3.7 kg [8.1 lbs]
	Listo para usar, con llenado máx.	13.6 kg [30.0 lbs]	19.8 kg [43.7 lbs]
Dimensiones, (sin tubo de pulverización y manguera de presión)	Altura	547 mm [21.5"]	622 mm [24.5"]
	Ancho	390 mm [15.4"]	390 mm [15.4"]
	Profundidad	245 mm [9.6"]	245 mm [9.6"]
Batería (Li-Ion):	Tensión nominal	11,1 V	
	Capacidad	2.5 Ah	
Cargador:	Tensión de funcionamiento de entrada	100–240 V	
	Frecuencia de la tensión de funcionamiento	AC 50/60 Hz	
	Tensión nominal de salida	DC 12.6 V	
	Corriente de carga máx.	1.5 A	
	Tipo de protección / clase de protección	IP 20 / II	
Tiempo de carga con una carga de salida mínima de la batería:		approx. 1.9 h	
Tiempo de funcionamiento con tobera de rociado estándar por ciclo de carga (0,6L/min@2,5bar)		approx. 2.8 h	
Nivel de presión acústica <sup>1</sup> L <sub>Peq</sub> (EN ISO 3744)		< 70 dB(A)	
Nivel de potencia acústica <sup>1</sup> L <sub>W<sub>eq</sub></sub> (EN ISO 3744)		< 70 dB(A)	
Valor efectivo de la aceleración <sup>1</sup> a <sub>hv,eq</sub> (EN ISO 5349)		< 2.0 m/s <sup>2</sup> [78.7 "/s <sup>2</sup> ]	

<sup>1</sup> Para la determinación de los valores mencionados arriba referentes a la aceleración de oscilación y al sonido, las diferentes condiciones de operación fueron ponderados con las normas vigentes en consecuencia.





# **solo**<sup>®</sup>

Made in Germany



**SOLO Kleinmotoren GmbH**

Industriestraße 9

D-71069 Sindelfingen

Postfach / PO Box 60 01 52

D-71050 Sindelfingen

DEUTSCHLAND / GERMANY

Tel.: +49 (0)7031 301-0

Fax: +49 (0)7031 301-202

[info@solo-germany.com](mailto:info@solo-germany.com)

<http://solo.global>