

# CLEANLine

# solo<sup>®</sup>

## 303 A / 304 A // 303 B / 304 B

**Originalbetriebsanleitung,**  
vor der Benutzung gründlich lesen!

**Original instructions,**  
read carefully before use!

**Notice originale,**  
lire attentivement avant utilisation!

**Manual original**  
¡lea cuidadosamente antes de usar!

**Istruzioni originali,**  
leggere attentamente prima dell'uso!

**Oorspronkelijke gebruiksaanwijzing,**  
voor gebruik aandachtig lezen!

**Originální návod k obsluze,**  
před použitím si pozorně přečtěte!

**Originalna navodila za uporabo,**  
pred uporabo natančno preberite!

**Original bruksanvisning,**  
les nøye før bruk!

**Originalna uputa za uporabu,**  
pažljivo pročitajte prije upotrebe!

**Az eredeti üzemeltetési útmutató fordítása,**  
használat előtt figyelmesen olvassa el!

**Перевод руководства по эксплуатации,**  
внимательно прочитайте перед использованием!

**Tłumaczenie oryginalnej instrukcji eksploatacji,**  
przeczytaj uważnie przed użyciem!

**Originalbruksanvisning,**  
läs noga innan användning!

**Druckspritze**

**Pressure Sprayer**

**Pulvérisateur à pression**

**Pulverizador a presión**

**Spruzzatore a pressione**

**Drukspuit**

**Tlakové postřikovače**

**Tlačna škropilnica**

**Trykksprøyter**

**Prskalica pod pritiskom**

**Nyomófecskenvező**

**Распылитель давления**

**Opryskiwacz ciśnieniowy**

**Tryckspruta**

de

en

fr

es

it

nl

cs

sl

no

hr

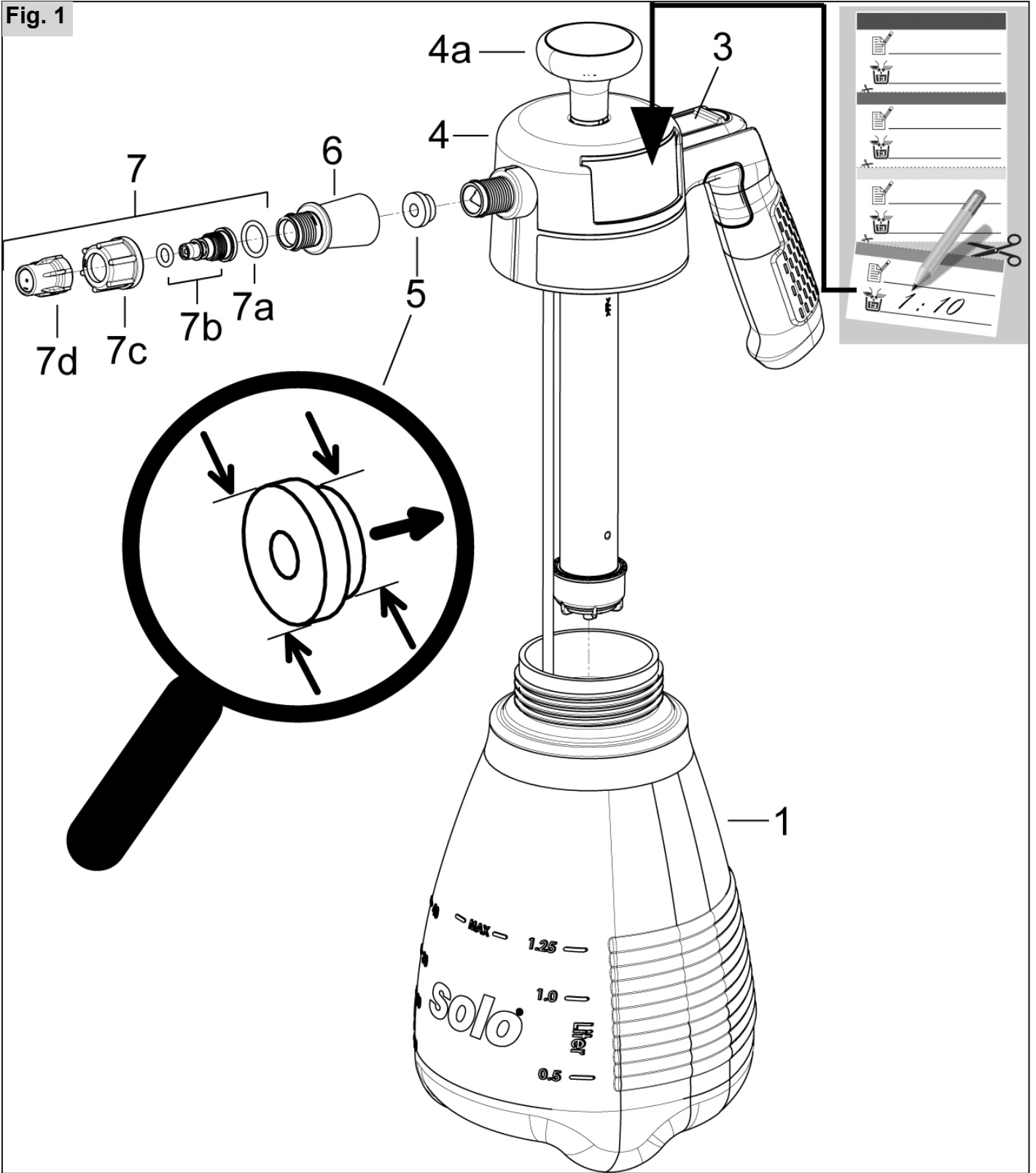
hu

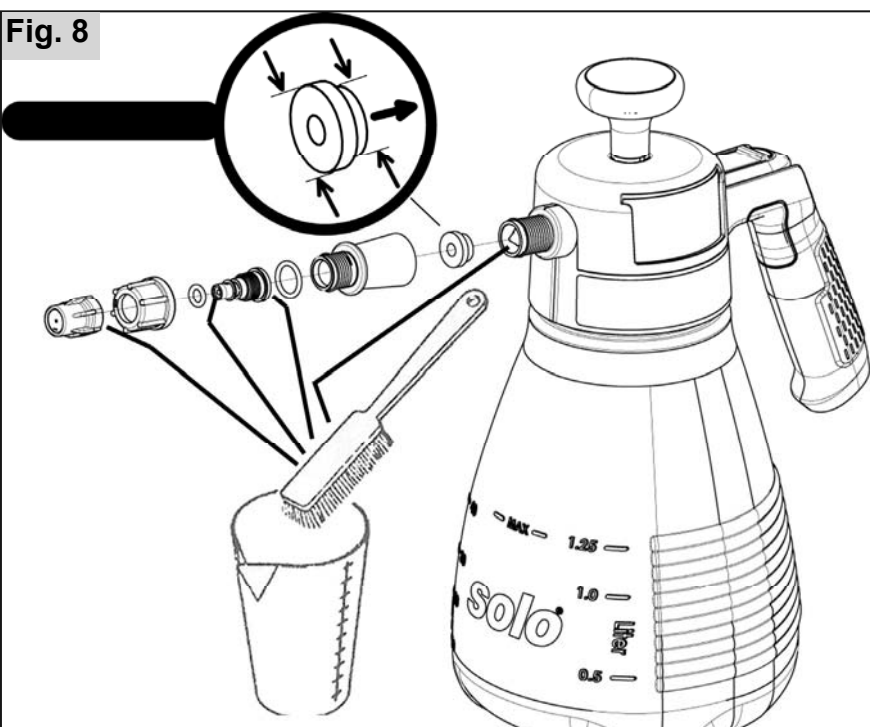
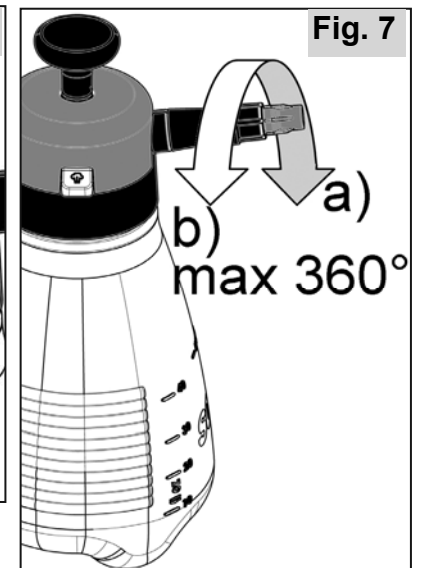
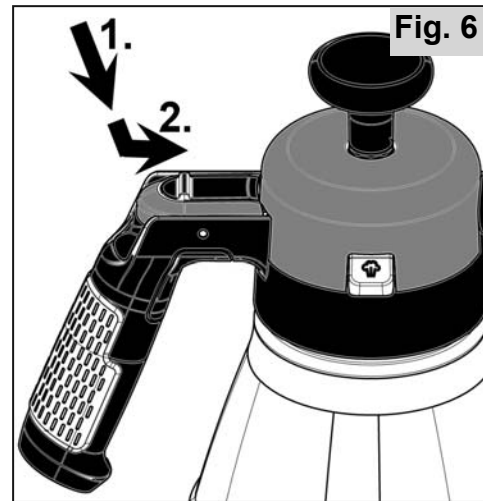
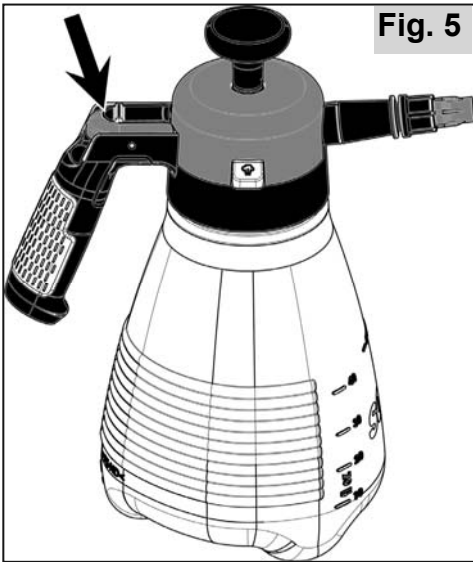
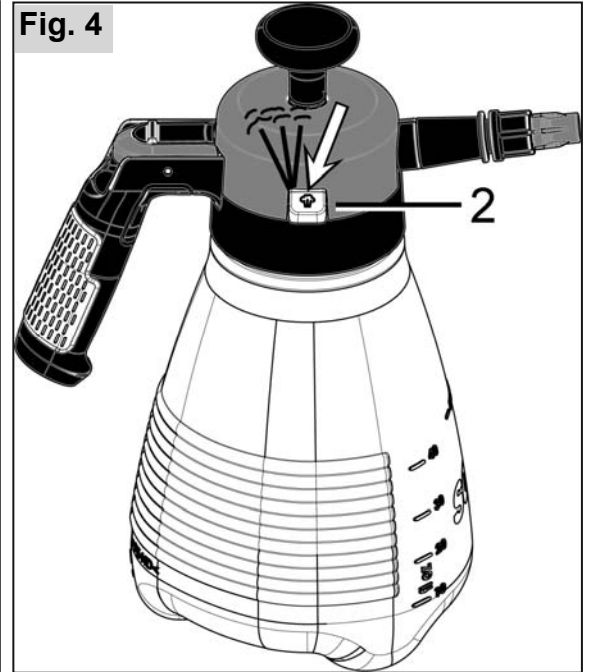
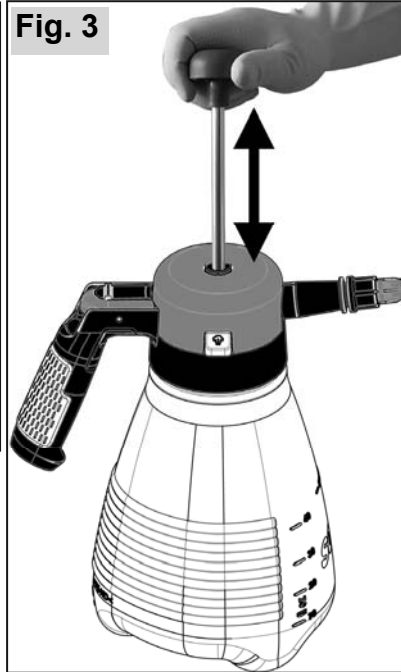
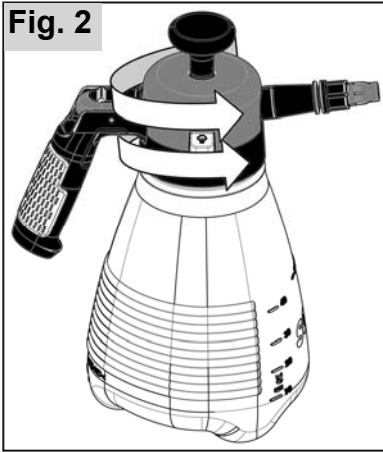
ru

pl

sv

Fig. 1





## Original instructions

Read this instruction manual carefully before first operation and strictly observe the safety regulations!

Changes to the scope of supply in form, technology and equipment are reserved. No claims can be derived from any information and figures in these original instructions.

### 1 EC declaration of conformity

SOLO Kleinmotoren GmbH, Industriestraße 9, 71069 Sindelfingen, GERMANY declares that the **Pressure Sprayer**, types **303 A, 303 B, 304 A, 304 B** – from date of manufacture 01/2022 and following – comply with the directive 2006/42/EC of the European Parliament and of the Council of 17 May 2006 on machinery.



Sindelfingen, 01 January 2022

Andreas Emmerich, SOLO Kleinmotoren GmbH, Industriestraße 9, D-71069 Sindelfingen (managing director and documentation officer)

UK  
CA

### UK - DECLARATION OF CONFORMITY

We, SOLO Kleinmotoren GmbH, Industriestraße 9, D-71069 Sindelfingen, Germany declares under our sole responsibility that the products

Pressure Sprayer unit

type **303 A, 303 B, 304 A, 304 B**

to which this declaration relates is in conformity with the essential requirements and other relevant requirements of the Supply of Machinery (Safety) Regulations 2008 of the UK legislation.



Sindelfingen, 01 January 2022

Andreas Emmerich (CEO)

### 2 Wear parts

The following wear parts are not subject to the manufacturer's guarantee:

\* All rubber parts that come into contact with spraying liquid, \* nozzles, \* seals,

### 3 Warranty

Please observe that specific warranty conditions are valid in some countries. In doubt, ask your vendor.

No guarantee can be granted for any damage caused by:

- Non-observation of the original instructions.
- Omission of necessary maintenance and cleaning work.
- Wear and tear from regular use
- Use of unapproved working tools.

- Use of force, improper treatment, abuse or accident.
- Manipulations by non-qualified persons or from improper repair attempts.
- Unauthorized modifications to the device.
- Use of unsuitable spare parts or non-genuine spare parts.
- Use of unapproved chemicals or dilutions.
- Damage caused by use in the rental business.

Any warranty work must be performed by one of our authorised specialist vendors. Cleaning, care and standard adjustments are not accepted as warranty services.

### For Australia only: Supplementary warranty notes specifically for Australia

To make a claim, contact Clayton Engineering, 26 French Ave, Brendale, Q, 4500 on phone 1300 798 022 or email [sales@claytonengineering.com.au](mailto:sales@claytonengineering.com.au).

You will be asked to provide proof of purchase and then will be instructed on the procedure for repairing or replacement of the product under warranty. All costs incurred for repair or replace, and additional claims can be discussed at this stage.

This warranty is provided in addition to other rights and remedies you have under law: Our goods come with guarantees that cannot be excluded under the Australian Consumer Law. You are entitled to a replacement or refund for a major failure and for compensation for any other reasonably foreseeable loss or damage. You are also entitled to have the goods repaired or replaced if the goods fail to be of acceptable quality and the failure does not amount to a major failure.

### 4 Symbols



Read the original instructions thoroughly.



DANGER! Non-observation of the original instructions may potentially cause fatal injury.



Wear the prescribed protective clothing.



Wear protective gloves.



Wear facial protection (e.g. goggles).



Wear breathing protection.



No open fire.

## 5 Safety provisions

### 5.1 Intended use / applications

The pressure sprayer must only be used to apply the cleaning agents and disinfectants described below.

The media used generally must be released for application via pressure sprays by the manufacturer. Strictly observe the guide lines provided by the chemical manufacturer.

#### Model series A

- type **303 A, 304 A** (FKM seals) is suitable for application of acidic to pH-neutral spraying agents in the **pH range of 1 – 7**

#### Model series B

- type **303 B, 304 B** (EPDM seals) is suitable for application of pH-neutral to alkaline spraying agents in the **pH range of 7 – 14**

The pressure sprayer must **not** be used for all purposes not named above, such as

- spraying of paints
- distribution of
  - \* flammable liquids
  - \* sticky, residue-forming agents
  - \* surfactants
  - \* fluids with temperatures above 40 °C [104 °F]
  - \* agents not intended for distribution by pressure sprayers

and

- storage of fluids!

### 5.2 General safety notes

Read the original instructions before first use and keep it in a safe place.

Non-observation of information provided in these original instructions may potentially be fatal; the user is liable for any damage, direct or consequential, caused by this.

The original instructions must be kept on hand at the site of use of the sprayer at all times.

It must be read by all who are charged with any work with and on the device (including for maintenance, care and repair).

- Have safe use shown and explained to you by a SOLO specialist vendor.
- Persons under the age of 18 must only work under supervision with this sprayer.
- Keep persons and animals away from the working area. Never spray in the direction of any persons, animals or objects that could be hurt or damaged.
- This sprayer must only be passed on to persons who are familiar with this model, its operation and the original instructions.
- If you work with this sprayer, you should be physically fit, rested and healthy.

- Do not use the sprayer while under the influence of alcohol, drugs or medication.
- Never make any changes to existing safety provisions and operating parts.
- Only use the sprayer when it is operationally safe to do so. Check the sprayer before every use according to chap. 6.1.
- Replace damaged parts without delay. Only use SOLO genuine spare parts.
- Only use factory approved accessories and attachments for this sprayer.
- Empty and clean the sprayer according to the information in chap. 9.2 for this. Prevent unauthorised access to the machine.


### 5.3 Safe handling of spraying liquids




- Follow suitable procedures and use collection containers to prevent any contamination of the environment, the public waterways and/or storm water systems from chemical agents and cleaners. This can happen while mixing, filling, using, emptying, cleaning or during transport.
- Always collect chemical spray liquids and cleaners (including residues) in suitable containers and return them to collection points specified by the municipal administration.
- In case of skin or eye contact, rinse or flush the affected body parts with plenty of clean water. Seek medical advice without delay.
- Contaminated clothing should be changed at once.
- Never eat or drink while handling spray liquids
- If you feel nauseous during work, or if you are excessively fatigued, stop working at once. If the condition persists, seek medical advice without delay.
- Never permit children or persons work with or handle spraying liquids if they are not familiar with these substances.
- Never fill different spray solutions into the spray tank.
- Fig. 1: The description of the kind of spray solution used can be attached to the device and must be updated with every change of the spraying solution.
- When changing the spray solution, clean the spray tank and all parts that come in contact with the spray solution. Operate the sprayer with clear water first before filling the spray tank with the different spray solution.
- At the end of work, empty and clean the sprayer according to chap. 9.2, clean your face and hands thoroughly, take off work clothing and wash it regularly.

#### 5.4 When transporting the sprayer

- The device must be securely strapped down when transported on vehicles.
- Prevent leakages of spraying agents. The liquid tank of the sprayer and all liquid carrying hoses must be inspected regularly for leaks.

#### 5.5 Work clothing /personal protection equipment (PPE)

 Suitable and approved protective clothing that protects all body parts from contact with the spray solution must be worn.

- Wear firm shoes with good gripping soles.
-  Wear protective gloves with a slip-proof palm.
-  Use facial protection (e.g. protective goggles).
-  Wear a respirator when using dangerous spraying agents.

#### 5.6 Before and during work

- Before starting work, always check the entire device for operational safety according to chap. 6.1.

#### 5.7 Maintenance, repair and storage

Only perform maintenance and repair work yourself that is described in these original instructions. All other work must be carried out by an authorised specialist workshop.

- Do not service, repair or store the sprayer near open fire.
- Before doing any maintenance work or repairs and before opening the spraying agent tank, depressurise the device by pushing on the pressure relief valve (2) (Fig. 4).  
The device always must be vertical when the pressure relief valve is actuated.  
Attention: Keep the device away from your face!

## 6 Work preparation

Fig. 1:

- 1 Spraying agent tank
- 3 Shut-off valve
- 4 Pump unit
  - 4a Pump button
- 5 Seal
- 6 Spray tube
- 7 Nozzle attachment
  - 7a O-Ring
  - 7b Nozzle body
  - 7c Cap nut
  - 7d Nozzle adjustment

Fig. 4:

- 2 Pressure relief valve

#### Installation of the spray tube (6):

- Correctly insert the seal (5) according to Fig. 1 and screw on the spray tube with the already-installed nozzle attachment (7) hand-tightly without using tools.

#### 6.1 Checking for operationally safe condition

Subject the pressure sprayer to a visual inspection before every use. There must be no cracks evident at the tank (1), the pump unit (4), the spray tube (6) and the nozzle attachment (7).

The following inspections must be performed at first commissioning and at recommissioning after extended standstill. During use of the pressure sprayer, proper function generally must be verified in operation.

- Tightness of all sprayer parts at maximum admissible pressure with the hand valve opened and closed
- Function of all working parts (hand valve, pump, pressure relief valve)

For this, build up pressure across the pump (Fig. 3). The pressure must escape with a clearly audible sound when you actuate the pressure relief valve (Fig. 4).

The device always must be vertical when the pressure relief valve is actuated. Attention: Keep it away from your face!

Check the function of the shut-off valve during application. When releasing the shut-off valve, spraying must stop.

In case of irregularities, damage, leaks or limited function, do not use the sprayer but have it checked in a specialist workshop without delay.

## 7 Preparing the spray liquid and filling the spray tank

Prepare the spray liquid according to the instructions of the chemical manufacturer. Before opening the spraying agent tank, the device must be depressurised by actuating the pressure relief valve (2) (Fig. 4)!

Fig. 2:

To fill the tank with spraying agent, the pump must be unscrewed. by turning it counterclockwise. Do not use any tools!

Fill the tank no further than to the upper-most mark on the side of the spray tank.

Overfilling the tank or spills can contaminate public waterways, rain- and storm water channel and must be avoided.

Wipe off spilled spray liquid without delay.

After filling, insert the pump again and refasten firmly by turning the pump handle (c) clockwise to prevent the spraying agent from escaping.

## 8 Using the pressure sprayer

### 8.1 Spraying

For pumping, pump up and down with the pump button (5) until the operating pressure is reached in the spraying agent tank (Fig. 3). Overpressure escapes on its own through the pressure-relief valve (2).

Always hold the pressure sprayer vertically for spraying.

Point the spray tube at the surface to be sprayed at a distance of approx. 50 cm.

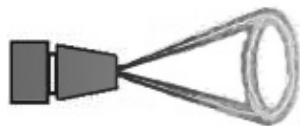
Actuate the shut-off valve (3) (Fig. 5). The actuation lever of the shut-off valve can be pushed forward for permanent actuation (Fig. 6). To stop spraying, pull the actuation lever of the shut-off valve back again and release it.

Nozzle adjustment (Fig. 7):

a) Nozzle closed

→ hollow cone

Delivery rate at 3 bar:  
0.66 l/min [0.174 USgal/min]



b) Nozzle open

(max. 1 turn, 360°)

→ coarse and narrow jet

Delivery rate at 3 bar:  
1.75 l/min [0.462 USgal/min]



### 8.2 Disposal of residual spray volume

Residual spray volumes of less than 10 ml [0.3 oz] are no longer pumped effectively.

If you do not want to fill in any more spraying agent and want to end spraying, collect and dispose of the remaining amount according to the applicable laws and provisions. Observe the information from the spraying agent manufacturer.

At the end of the work, empty and clean the sprayer according to chap. 9.2, wash face and hands thoroughly and take off the work clothing. Work clothing requires regular washing.

## 9 Maintenance, cleaning and storage

### 9.1 Greasing the cap gasket

If it is growing more difficult over time to screw the pump unit onto the tank tightly, silicone grease may be applied to the contact surface between the lid seal and the tank edge. For this, it is easiest to apply a little grease onto the tank edge with a brush. (Fig. 9)

### 9.2 Draining the spraying agent tank and cleaning the spraying agent carrying parts

The device must be depressurised by actuating the pressure-relief valve (2) before opening the spraying agent tank and before disassembly of the nozzle attachment (Fig. 4)!

Empty the spraying agent tank after use every day. Collect and dispose of the residual quantity of the spraying agent according to the applicable law and provisions. Observe the information from the spraying medium manufacturer. Flush the spraying agent tank and all spraying-agent-conducting parts thoroughly with clean water. Operate the pressure sprayer once more with clear water.

Let the spraying agent tank dry again in the open condition after cleaning.

Clean the spraying nozzle as follows after every 50 uses, or if the spraying pattern grows uneven, or if much less spraying agent then before is dispensed:

- Screw the nozzle attachment (7) off of the spray tube (6) and flush with clean water.
- Disassemble the nozzle attachment (Fig. 1).
- Clean the O-rings and the parts of the spraying nozzle with clean water and a soft brush (Fig. 8). Do not blow out the spraying nozzle with your mouth!
- Do not clean the nozzle with any hard objects!
- Assemble the individual parts of the nozzle attachment again.

### 9.3 Down periods and storage

Empty and clean the sprayer according to chap. 9.2.

Keep the sprayer protected from sunlight in a dry, frost-free and secure location at a temperature of max. 35 °C [95 °F].

No open fireplaces or similar must be nearby.

Prevent unauthorised use – especially by children.

## 10 Specification

Model ("Typ")	303 A	303 B	304 A	304 B
Spraying agent tank:	Nominal volume		approx. 1.8 l [0.48 gal]	
	Max. fill volume		approx. 3.0 l [0.79 gal]	
			1.25 l [0.33 gal]	2.0 l [0.53 gal]
Residual volume not properly discharged by the device		< 10 ml [0.3 oz]		
Maximum permissible operating pressure		3.0 bar [43 psi]		
Permissible operating temperature		0–40 °C [32–104 °F]		
Tank material		Polyethylene		
Sealing material suitable for spraying agents in the pH range		FKM 1 - 7	EPDM 7 - 14	FKM 1 - 7 EPDM 7 - 14
Maximum delivery (at 3 bar [43 psi] with standard spraying nozzle)		1.75 l/min [0.462 USgal/min]		
Standard spray nozzle		adjustable spray nozzle		
Weight (ready for operation):	Tank empty		0,45 kg [0.99 lbs]	
	tank filled to max.		0,50 kg [1.10 lbs]	
			1,70 kg [3.75 lbs]	2,50 kg [5.51 lbs]
Dimensions (without spray tube):	Height	300 mm [11.8"]		330 mm [13.0"]
	Width	150 mm [5.9"]		160 mm [6.3"]
	Depth	210 mm [8.3"]		220 mm [8.7"]

The original packaging and, at the end of its service life, the sprayer must be properly disposed of according to the local environmental regulations.

Information about material ingredients (VO (EC) No.1907/2006 „REACH“) can be found on our homepage under: <https://shop.solo.global/Service/Support/Support/>



# **solo**<sup>®</sup>

Made in Germany



**SOLO Kleinmotoren GmbH**

Industriestraße 9	D-71069 Sindelfingen
Postfach / PO Box 60 01 52	D-71050 Sindelfingen
DEUTSCHLAND / GERMANY	
Tel.: +49 (0)7031 301-0	Fax: +49 (0)7031 301-202
info@solo-germany.com	<a href="http://solo.global/">http://solo.global/</a>