

425 Comfort / 435 Comfort / 475 Comfort // 425 Pro / 475 Pro

Originalbetriebsanleitung,
vor der Benutzung gründlich lesen!

Original instructions,
read carefully before use!

Notice originale,
lire attentivement avant utilisation!

Manual original
¡lea cuidadosamente antes de usar!

Istruzioni originali,
leggere attentamente prima dell'uso!

Oorspronkelijke gebruiksaanwijzing,
voor gebruik aandachtig lezen!

Originální návod k obsluze,
před použitím si pozorně přečtěte!

Originalna navodila za uporabo,
pred uporabo natančno preberite!

Original bruksanvisning,
les nøye før bruk!

Originalna uputa za uporabu,
pažljivo pročitajte prije upotrebe!

Az eredeti üzemeltetési útmutató fordítása,
használat előtt figyelmesen olvassa el!

Перевод руководства по эксплуатации, внимательно прочитайте перед использованием!

Tłumaczenie oryginalnej instrukcji eksploatacji,
przeczytaj uważnie przed użyciem!

Originalbruksanvisning,
läs noga innan användning!

Rückenspritze

Backpack sprayer

Pulvérisateur à dos

Pulverizador de mochila

Spruzzatore a zaino

Rugspuit

Zádový postřikovač

Nahrbtnje škropilnice

Ryggsprøyten

Leđna prskalica

Permetező

Ранцевый опрыскиватель

Opryskiwacz plecakowy

Ryggsprutan

de

en

fr

es

it

nl

cs

sl

no

hr

hu

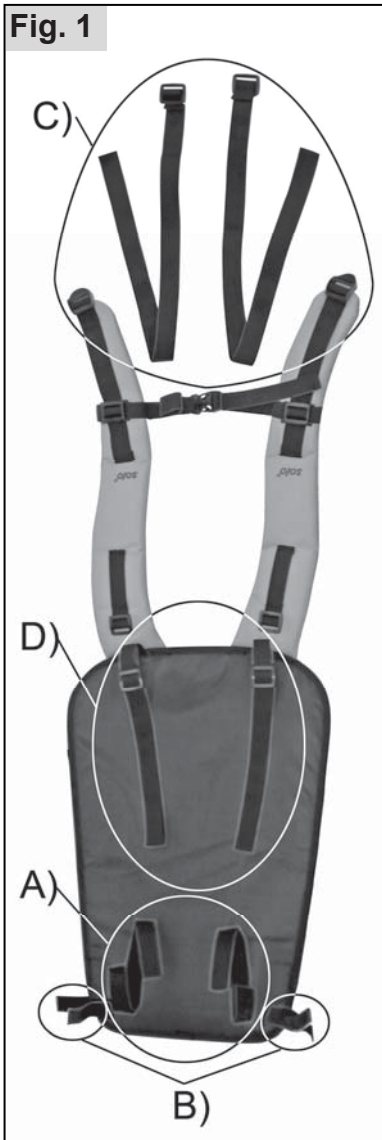
ru

pl

sv

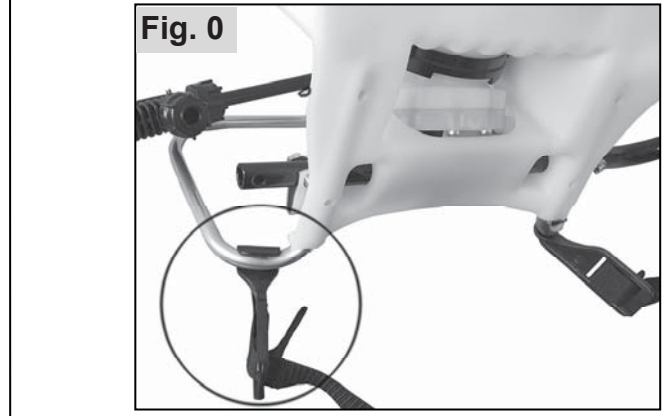
Mod. 425 Pro, 475 Pro

Fig. 1



Mod. 425 Comfort, 435 Comfort, 475 Comfort

Fig. 0



A)

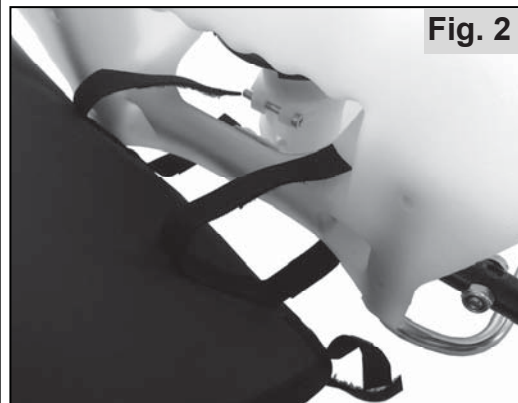


Fig. 2

B)



Fig. 4



Fig. 3

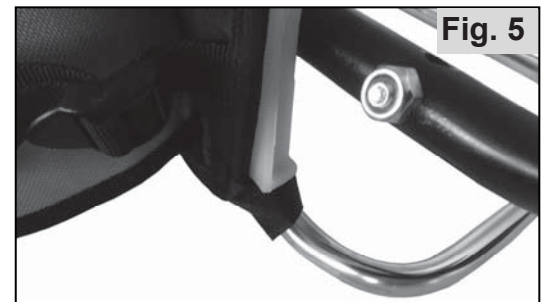


Fig. 5

C)



Fig. 6



Fig. 8



Fig. 7

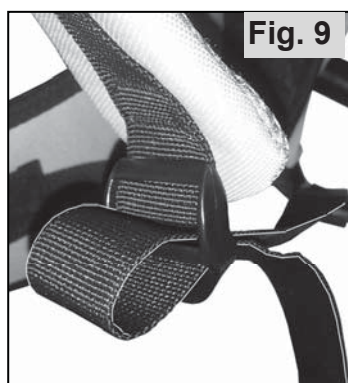


Fig. 9

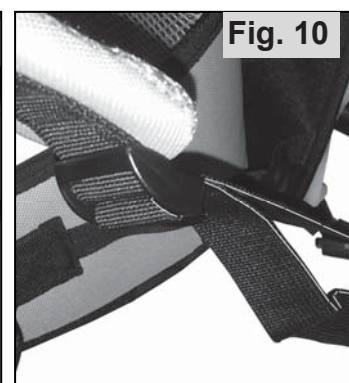


Fig. 10

D)

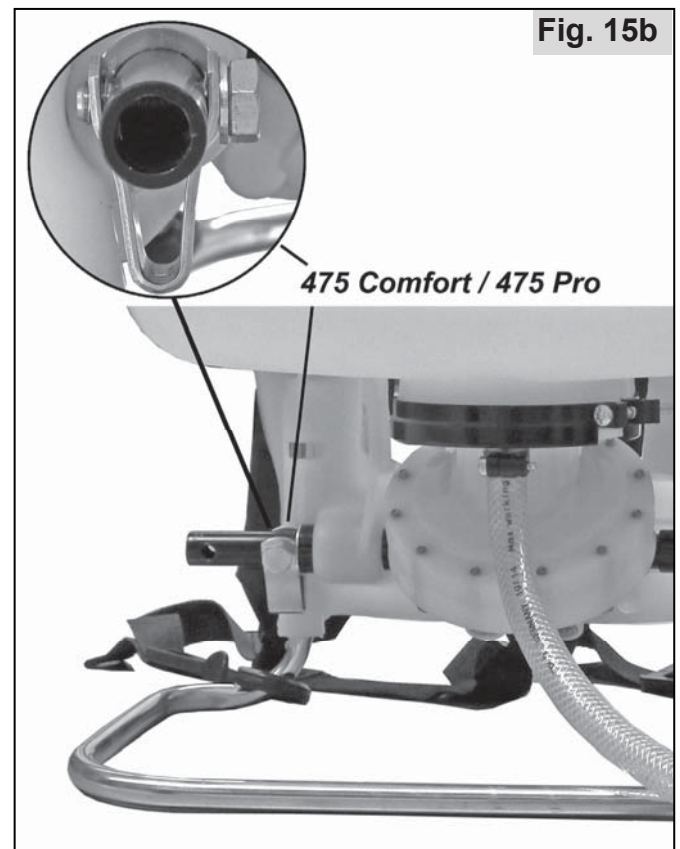
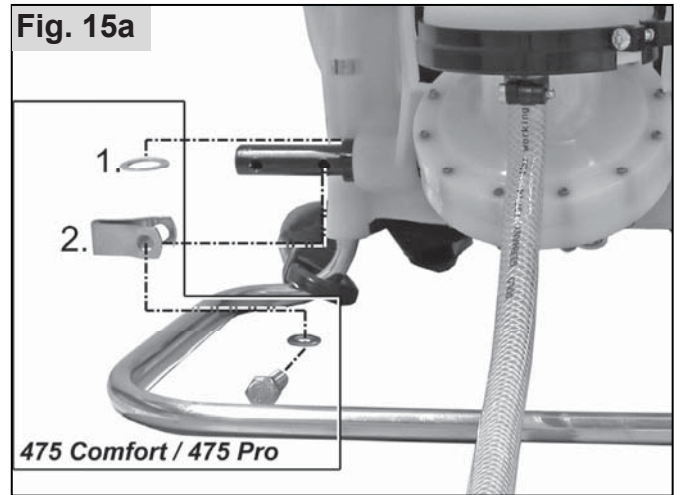
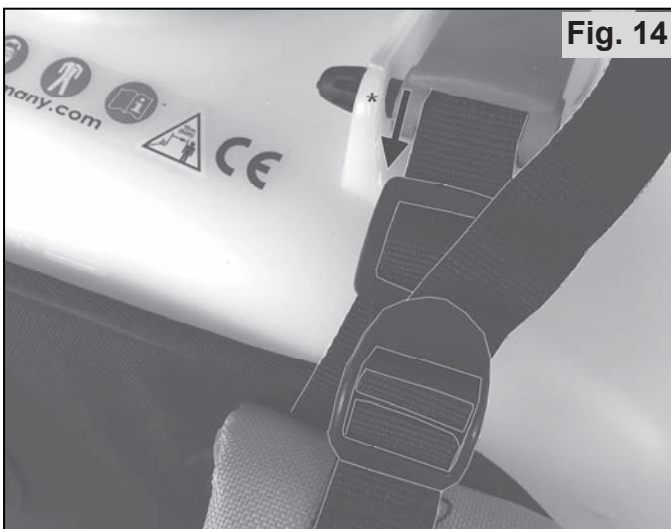
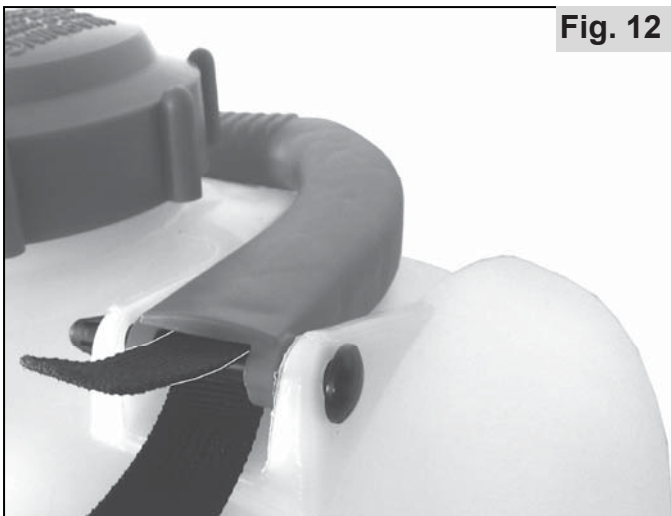
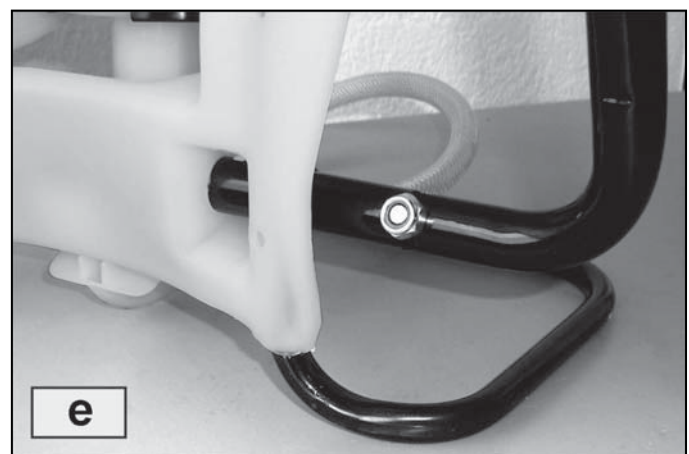
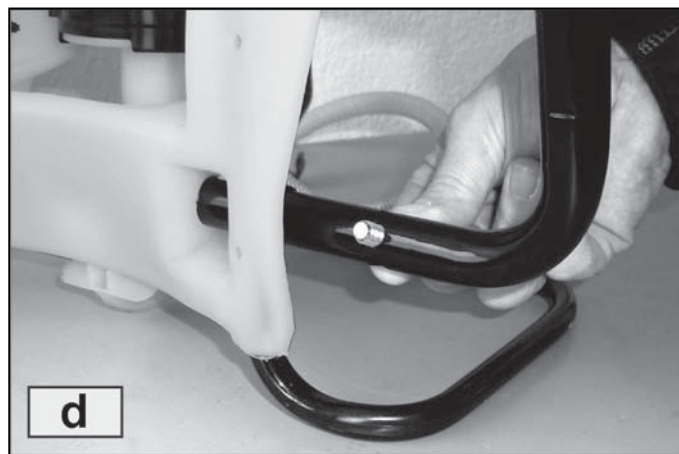
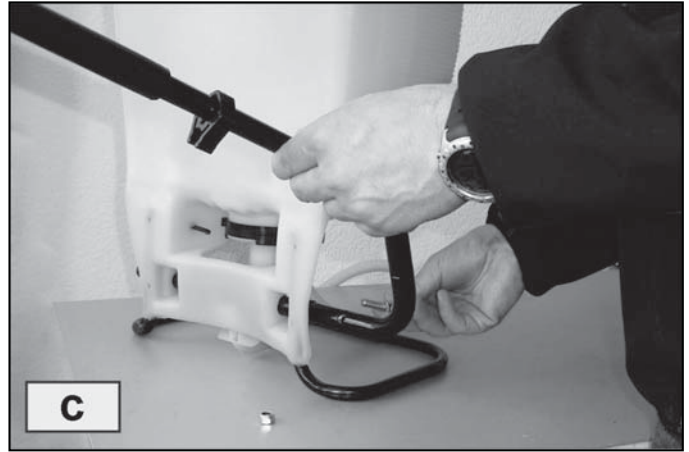
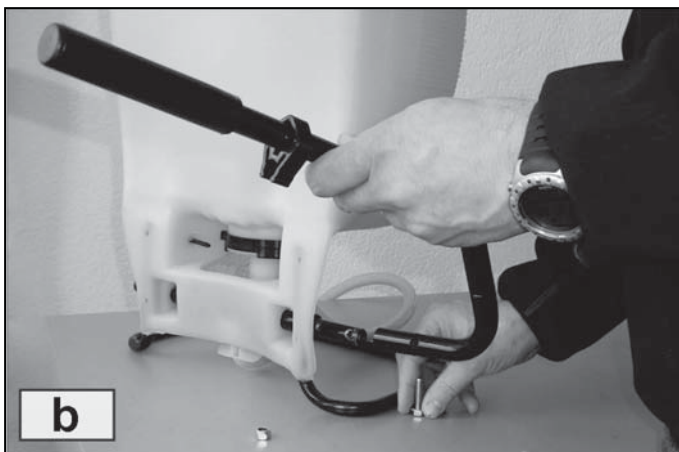
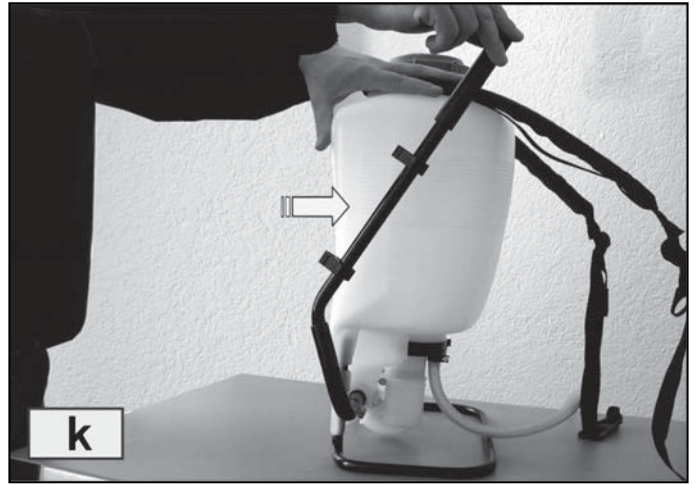


Fig. 16 a - k





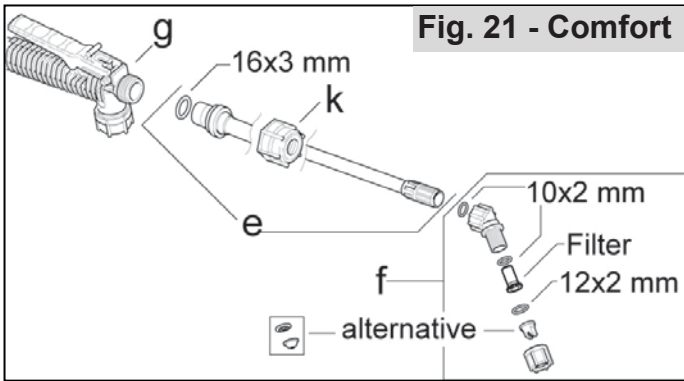


Fig. 21 - Comfort

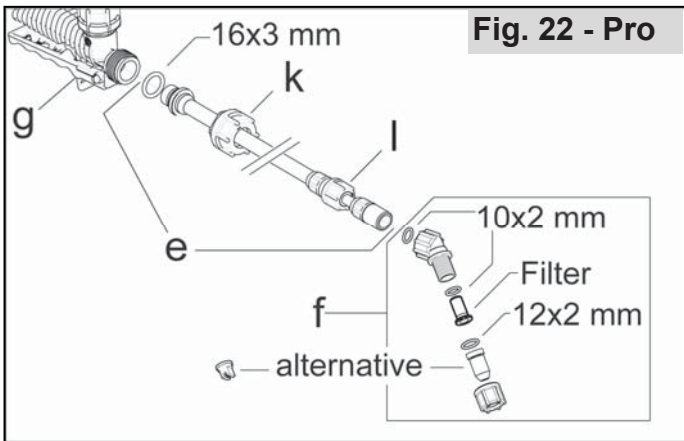


Fig. 22 - Pro

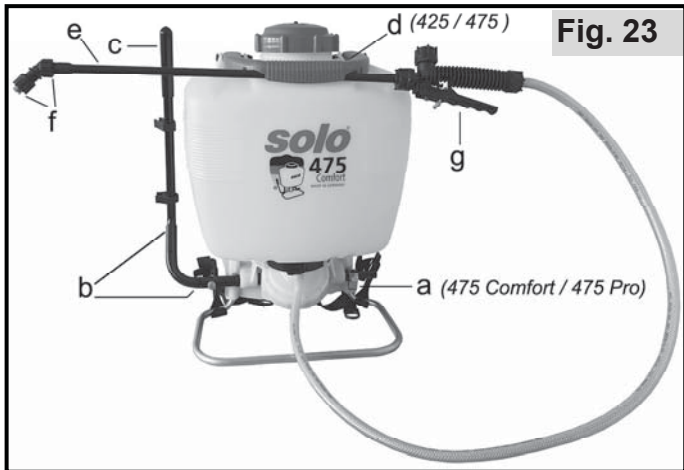


Fig. 23



Fig. 24



Fig. 25

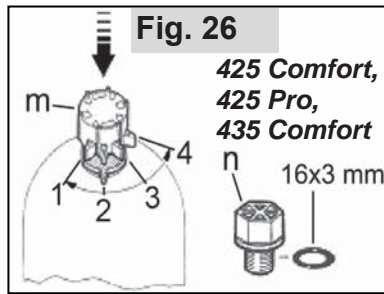


Fig. 26

425 Comfort,
425 Pro,
435 Comfort

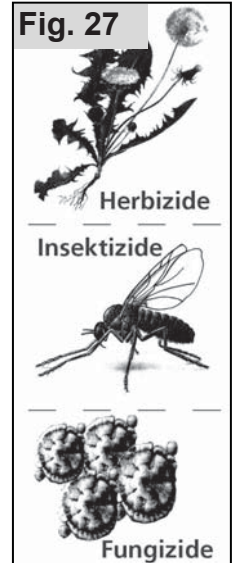


Fig. 27

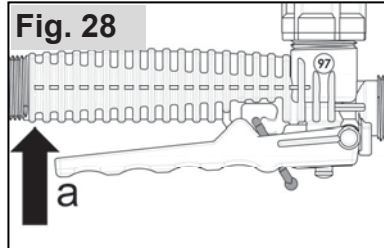


Fig. 28

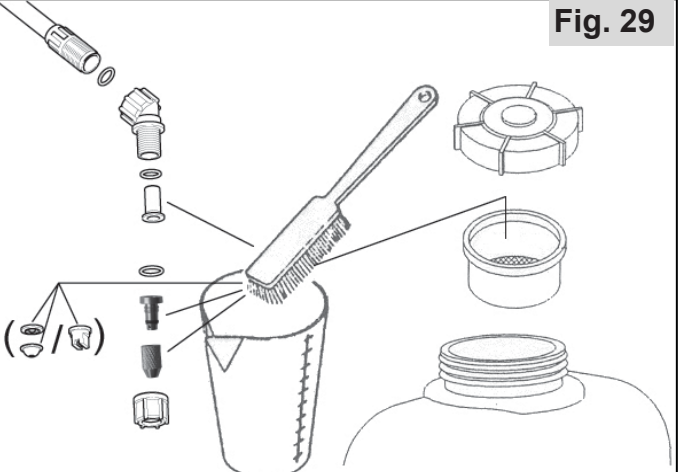


Fig. 29

Fig. 30

a SOLO KLEINMOTOREN GMBH
Industriestraße 9, 71069 Sindelfingen, Germany

b Rückenspritze / Knapsack Sprayer

c Typ: 425 Pro
model: 425241

d SN: xxxxxx

e Baujahr / Date of production: mm / yyyy

CE Made in Germany

m net.	5,2 kg	f
m max.	20,2 kg	g
max. Vol.	15 l	h
Total Vol.	16 l	i
P max.	4 bar	j
T max.	+40°C	k
	1,9 l/min / 4 bar	l

Original instructions

Read this instruction manual carefully before first operation and strictly observe the safety regulations!

Changes to the scope of supply in form, technology and equipment are reserved. No claims can be derived from any information and figures in these original instructions.

The original packaging and, at the end of its service life, the sprayer must be properly disposed of according to the local environmental regulations. The machine can be subject to national rulings for regular review by designated offices, as specified in directive 2009/128/EC.

1 EC declaration of conformity

SOLO Kleinmotoren GmbH, Industriestraße 9, D-71069 Sindelfingen, Germany declares that the back spraying unit type **425 Comfort, 435 Comfort, 475 Comfort, 425 Pro, 475 Pro** from production date 03/2020 onwards - corresponds to the relevant provisions of directive 2006/42/EC of the European parliament and the council from 17 May 2006 about machinery and directive 2009/127/EC.



Sindelfingen, 01 March 2020
Andreas Emmerich, SOLO Kleinmotoren GmbH, Industriestraße 9, D-71069 Sindelfingen (managing director and documentation officer)

**UK
CA**

UK - DECLARATION OF CONFORMITY

We, SOLO Kleinmotoren GmbH, Industriestraße 9, D-71069 Sindelfingen, Germany declares under our sole responsibility that the products: Backpack sprayer types **425 Comfort, 435 Comfort, 475 Comfort, 425 Pro, 475 Pro** to which this declaration relates is in conformity with the essential requirements and other relevant requirements of the Supply of Machinery (Safety) Regulations 2008 of the UK legislation.



Sindelfingen, 01 September 2021
Andreas Emmerich (CEO)

2 Scope of delivery

- Basic unit with hand valve and pressure hose
- Spray tube
- Pre-installed nozzle assembly incl. nozzle
- Container lid
- **Model 425 Comfort, 435 Comfort, 425 Pro:** Pressure tank plug with O-ring (16x3 mm)
- Pump lever and assembly parts
- **Model 425 Pro, 475 Pro:** Harness system
- Alternative nozzle
- Sticker for tank unit

3 Wear parts

The following wear parts are not subject to the manufacturer's guarantee:

- * All rubber parts that come into contact with spraying liquid, * nozzles, * filters, * seals, * diaphragms, * sleeves

4 Warranty

Please observe that specific warranty conditions are valid in some countries. In doubt, ask your vendor.

No guarantee can be granted for any damage caused by:

- Non-observation of the original instructions.
- Omission of necessary maintenance and cleaning work.
- Wear and tear from regular use
- Use of unapproved working tools.
- Use of force, improper treatment, abuse or accident.
- Manipulations by non-qualified persons or from improper repair attempts.
- Unauthorized modifications to the device.
- Use of unsuitable spare parts or non-genuine spare parts.
- Use of unapproved chemicals or dilutions.
- Damage caused by use in the rental business.

Any warranty work must be performed by one of our authorised specialist vendors. Cleaning, care and standard adjustments are not accepted as warranty services.

For Australia only: Supplementary warranty notes specifically for Australia

To make a claim, contact Clayton Engineering, 26 French Ave, Brendale, Q, 4500 on phone 1300 798 022 or email sales@claytonengineering.com.au. You will be asked to provide proof of purchase and then will be instructed on the procedure for repairing or replacement of the product under warranty. All costs incurred for repair or replace, and additional claims can be discussed at this stage.

This warranty is provided in addition to other rights and remedies you have under law: Our goods come with guarantees that cannot be excluded under the Australian Consumer Law. You are entitled to a replacement or refund for a major failure and for compensation for any other reasonably foreseeable loss or damage. You are also entitled to have the goods repaired or replaced if the goods fail to be of acceptable quality and the failure does not amount to a major failure.

5 Symbols









Read the original instructions thoroughly.



DANGER! Non-observation of the original instructions may potentially cause fatal injury.



Wear the prescribed protective clothing.

	Wear protective gloves.
	Wear facial protection (e.g. goggles).
	Wear breathing protection.
	No smoking.
	No open fire.
	Minimum distance from other persons: 15 m [approx. 16 yards]

6 Safety provisions

6.1 Intended use / applications

- Use the sprayer only for the application of liquid herbicides, pesticides and weed killers as well as liquid fertilisers that are available from the authorised specialist trade and approved by local/national authorities for use with portable spraying devices and for the application of clean water.
- Strictly observe the information on the spraying agent, in particular instructions on personal protective equipment.
- Application areas are in farming, tree nurseries, forest operations, orchards, vineyards, market gardens, as well as glasshouse cultures with sufficient ventilation and venting.
- The device must not be used for any other purposes, such as application of other agents from the above liquids! In particular, no acids, alkalis, solvent-containing liquids and waterproofing agents must be applied.
- Never use any liquids with temperatures above 40 °C [104 °F].
- Do not use any flammable agents.

6.2 General safety notes

Read the original instructions before first use and keep it in a safe place.

Non-observation of information provided in these original instructions may potentially be fatal; the user is liable for any damage, direct or consequential, caused by this.

The original instructions must be kept on hand at the site of use of the sprayer at all times.

It must be read by all who are charged with any work with and on the device (including for maintenance, care and repair).

- Have safe use shown and explained to you by a SOLO specialist vendor.
- Persons under the age of 18 must only work under supervision with this sprayer.
- Keep persons and animals away from the working area. Never spray in the direction of any persons, animals or objects that could be hurt or damaged.

- This sprayer must only be passed on to persons who are familiar with this model, its operation and the original instructions.
- If you work with this sprayer, you should be physically fit, rested and healthy.
- Do not use the sprayer while under the influence of alcohol, drugs or medication.
- Never make any changes to existing safety provisions and operating parts.
- Only use the sprayer when it is operationally safe to do so. Check the sprayer before every use according to chap. 10.1.
- Replace damaged parts without delay. Only use SOLO genuine spare parts.
- Only use factory approved accessories and attachments for this sprayer.
- Empty and clean the sprayer according to the information in chap. 10.6 for this. Prevent unauthorised access to the machine.





6.3 Safe handling of spraying liquids

- Follow suitable procedures and use collection containers to prevent any contamination of the environment, the public waterways and/or storm water systems from chemical agents and cleaners. This can happen while mixing, filling, using, emptying, cleaning or during transport.
- Always collect chemical spray liquids and cleaners (including residues) in suitable containers and return them to collection points specified by the municipal administration.
- In case of skin or eye contact, rinse or flush the affected body parts with plenty of clean water. Seek medical advice without delay.
- Contaminated clothing should be changed at once.
- Never eat or drink while handling spray liquids
- If you feel nauseous during work, or if you are excessively fatigued, stop working at once. If the condition persists, seek medical advice without delay.
- Never permit children or persons work with or handle spraying liquids if they are not familiar with these substances.
- Never fill different spray solutions into the spray tank.
- The description of the kind of spray solution used must be attached to the device and must be updated with every change of the spraying solution.
- When changing the spray solution, clean the spray tank and all parts that come in contact with the spray solution. Operate the sprayer with clear water first before filling the spray tank with the different spray solution.
- At the end of work, empty and clean the sprayer according to chap. 10.6, clean your face and hands thoroughly, take off work clothing and wash it regularly.

6.4 When transporting the sprayer

- The device must be securely strapped down when transported on vehicles.
- Prevent leakages of spraying agents. The liquid tank of the sprayer and all liquid carrying hoses must be inspected regularly for leaks.

6.5 Work clothing /personal protection equipment (PPE)

-  Suitable and approved protective clothing that protects all body parts from contact with the spray solution must be worn.
- Wear firm shoes with good gripping soles.
-  • Wear protective gloves with a slip-proof palm.
-  • Use facial protection (e.g. protective goggles).
-  • Always wear a breathing mask. when working in dense, tall plants, greenhouses, troughs or trenches and when using dangerous spraying agents.

6.6 Before and during work

- Before starting work, always check the entire device for operational safety according to chap. 10.1.
- The sprayer must only be operated by one person. There must be no other person within a radius of 15m [approx. 16 yards].
- Always ensure sufficient air exchange in dense plant growth, in greenhouses, troughs or trenches.
- Always stay within calling distance from other persons that may provide help in emergency.
- Take regular working breaks to prevent fatigue.
- Do not smoke at the workplace.

6.7 Maintenance, repair and storage

Only perform maintenance and repair work yourself that is described in these original instructions. All other work must be carried out by an authorised specialist workshop.

- Do not service, repair or store the sprayer near open fire.
- Before any maintenance and repair work, release the pressure in the pressure chamber inside the tank. To do this, hold the spray wand in the liquid tank or in a suitable container until the liquid flow stops.
- The pressure hose, hand valve, spray wand and nozzle assembly must only be unscrewed when the sprayer is depressurised.

7 Work preparation

7.1 Assembly

Assembly of the carrying system

Fig. 0 → **425 Comfort, 435 Comfort, 475 Comfort**

Fig. 1 – Fig. 14 → **425 Pro, 475 Pro**

Fig. 13 * Tighten the straps on both sides.

Fig. 14 * Tighten the narrow dark strap to relieve the wide, brighter belt.

The pump lever can be attached to the right side as well as the left side.

Fig. 15 → **Model 475 Comfort, 475 Pro:**

The stop clamp (a) must be installed on the side opposite of the pump lever.

Installation of the pump lever: Fig. 16 a - k

When fitting the pump lever, the retaining tube (b) of the pump lever should be facing upwards and back (facing towards the tank inscription).

To store the device, raise the pump handle (c) of the pump lever in the retaining tube (b).

When working with the sprayer, lower the pump lever (c) again in the retaining tube (b).

Model 425 Comfort, 475 Comfort, 425 Pro, 475 Pro:

When the sprayer is not in use, the spray wand (e) is attached to the red carrying handle (d).

Assembly of the spraying wand (e):

- Start the cap nut (k) evenly and screw the spray tube with the O-ring (16x3 mm) onto the hand valve (g) hand-tight without tools.
- Screw the nozzle attachment (f) with the O-ring (10x2 mm) onto the spray tube hand-tight without tools.

Model 425 Comfort, 435 Comfort, 475 Comfort:

Fig. 21 - Comfort:

Standard nozzle: Flat spray jet nozzle 04-F110, red,

Alternative nozzle: Hollow cone nozzle 1.4 mm Ø, black,

Model 425 Pro, 475 Pro:

The telescopic spray tube can be adjusted in length from 50 cm to 90 cm. To adjust, loosen the fastening nut (l), pull out or push in the inner tube to obtain the desired length and retighten the fastening nut (l).

Fig. 22- Pro:

Standard nozzle: High-reach nozzle, adjustable

Alternative nozzle: Flat spray jet nozzle 02-F80, brass

Fig. 23:

(shown as example, fittings depending on model)

- a. Safety clip
(**Model 475 Comfort, 475 Pro**)
- b. Holding tube
- c. Pump handle
- d. Carry handle
(**Model 425 Comfort, 475 Comfort, 425 Pro, 475 Pro**)
- e. Spray wand
- f. Nozzle attachment
- g. Hand valve

7.2 Filter and filling screen

The nozzle assembly (f) includes a filter insert in front of the nozzle. Alternatively, a ball valve filter (available as an accessory with part no. 4900539) can be used.

The basket in the filling neck of the liquid tank contains a filter screen.

The nozzle filter and the inlet filler screen must always be used when working with the backpack sprayer.

7.3 Length adjustment of the carrying straps

Fig. 24:

(shown as example, fittings depend on model)

Pulling down the two strap ends will tighten the carrying straps.

Fig. 25:

(shown as example, fittings depend on model)

Pulling the two belt ends upwards will loosen the carrying strap.

7.4 Pressure settings

Fig. 26:

Adjust the required spray pressure prior to filling the spray liquid into the spray tank. The pressure is set with the adjustment cap (m) on top of the pressure chamber.

Model 425 Comfort, 425 Pro, 435 Comfort:

If a spray pressure above 4 bar [58 psi] is required, replace the adjustment cap (m) - after releasing the spraying pressure - using the plug (n) included in the delivery.

7.5 Test run

Before its initial use, the sprayer should be tested according to chapter 10.2.

8 Preparing the spray liquid and filling the spray tank

Prepare the spray liquid according to the instructions of the chemical manufacturer.

Always prepare the spray liquid outdoors, never in living quarters, stables or storage rooms for food and animal feed.

When filling the spray tank, always use the filler

basket with the integrated filter screen.

Fill the tank no further than to the upper-most mark on the side of the spray tank.

Overfilling the tank or spills can contaminate public waterways, rain- and storm water channel and must be avoided.

Wipe off spilled spray liquid without delay.

Fig. 27:

Attach the respective sticker for the type of spray liquid, such as herbicide, fungicide or insecticide to the spray tank.

9 Use of the backpack sprayer

9.1 Spraying

- Do not use the sprayer in wind or rain.
- Check the direction of the air movement before starting work and spray with the air movement, not against it.
- Do not spray towards persons, animals, open doors and windows, cars or other objects that may be hurt or damaged by the spray.
- Ensure that only the actual spray target will be wetted. Always aim to obtain even and homogenous distribution of the spray on the treated surfaces.

Pumping and spraying:

Draw in and pressurize the liquid in the pump with quick pump lever strokes.

Hold the spray wand with the hand valve.

Fig. 28:

To spray, depress the hand lever on the valve (a). Release the hand valve lever to stop spraying.

To spray the underside of leaves, lightly loosen the spray wand cap nut and turn the wand hand tighten again.

An uneven spray picture or reduced spray output from the nozzle may require cleaning of the nozzle filter insert and nozzle (chap.10.6) or the replacement of these parts (chap. 10.4).

9.2 Disposal of residual spray volume

Residual spray volumes of less than 200 ml [6.8 oz] are no longer pumped effectively. Either add more spray formula and continue spraying or, when finishing off, dilute the residual volume with 2 litres [68 oz] of clean water and apply to the already treated area.

At the end of the work, empty and clean the sprayer according to chap. 10.6, wash face and hands thoroughly and take off the work clothing. Work clothing requires regular washing.

10 Maintenance, cleaning and storage

10.1 Maintenance plan

Before starting work:

- Check the entire sprayer is operationally safe by:
 - Visual inspection of the sprayer
 - Checking the tightness of all parts (at maximum admissible pressure with the hand valve opened and closed).
 - Checking the working of all functional parts (pump lever, hand valve).
 - Checking the hoses and their screw connections.
 - Visual inspection of the filter screen in the filler basket.

After the end of work, when changing the spray formula, whenever required:

- Cleaning the spray tank chap. 10.6
- Cleaning the nozzles and filters chap. 10.6
- Cleaning the filter screen in the filler basket chap. 10.6

Monthly or at the start of the season, whenever required:

- Checking the output volume chap. 10.3
- Greasing the tank lid seal chap. 10.5

10.2 Test run

When the spraying season starts and then every month, the following items must be checked in a test run with clean water:

- Tightness of all sprayer parts at maximum admissible pressure with the hand valve opened and closed
- Function of all working parts (hand valve, pump lever)
- Dosage and distribution accuracy
- Calibration of output volume according to chap. 10.3

In case of irregularities, damage, leaks or limited function, do not use the sprayer but have it checked in a specialist workshop without delay.

10.3 Calibration of the output volume

Fill the sprayer with water to the maximum mark and spray with a working pressure of 2 bar [29 psi] for precisely one minute. Then measure the water volume required when refilling to the maximum mark. The application volume must not deviate from the indicated value (chap. 12) by more than 10%; otherwise, clean the nozzle and the filter insert and repeat the measurement procedure.

If the application volume is not correct even after cleaning, replace the nozzle and/or filter insert. Chap. 10.4

10.4 Replace the spray nozzle and/or filter

- Flush the nozzle assembly with clean water.
- Unscrew the nozzle assembly.
- Clean the O-rings, filter insert and spray nozzle with clean water and soft brush. Do not blow out the spray nozzle by mouth! Do not clean nozzles with any hard objects!
- Replace the nozzle with a new nozzle and/or new filter insert.
- Screw the parts of the nozzle assembly back together (Fig. 21 / Fig. 22).

10.5 Grease the lid seal

If the container lid is hard to move, apply some silicon grease to the sealing ring in the lid.

10.6 Empty the spray tank and clean all the parts in the spray delivery system to the nozzle

Empty the spray tank, flush with clean water all parts in the delivery system to the nozzle and the filter screen in the filler basket.

Give special attention to the wear parts such as nozzles, filters and seals.

Observe the cleaning notes in the original user manual for the chemical.

Never use any aggressive, acid- or solvent-containing cleaning agents (e.g. petrol).

After cleaning, let the spray tank dry in the open air.

Clean the spraying nozzle, filter and filling screen: Fig. 29:

- Flush the nozzle assembly with clean water.
- Unscrew the nozzle assembly.
- Clean the O-rings, filter insert, spray nozzle and filling screen with clean water and a soft brush. Never blow out the spray nozzle with the mouth! Never clean nozzles with hard objects!
- Screw the parts of the nozzle assembly back together (Fig. 21 / Fig. 22).

10.7 Down periods and storage

Empty and clean the sprayer according to chap. 10.6.

Keep the sprayer protected from sunlight in a dry, frost-free and secure location at a temperature of max. 35 °C [95 °F].

No open fireplaces or similar must be nearby.

Prevent unauthorised use – especially by children.

11 Type plate

Fig. 30:

- a:** Name and address of the manufacturer
b: Product description
c: Type designation
d: Serial number
e: Manufacturing month/year
f: Weight (ready for operation, empty)
g: Weight (ready for operation, with max. fill level)
h: Maximum fill level of the spraying agent tank
i: Volume of the spray tank
j: Maximum permitted operating pressure
k: Maximum permitted operating temperature
l: Maximum application volume (with standard spraying nozzle at max. operating pressure)

12 Technical data

Model	435 Comfort	425 Comfort	425 Pro	475 Comfort	475 Pro
Spray tank:	Total volume		16 l [4.2 gal]		
	Max. fill volume		15 l [3.9 gal]		
Residual volume, (remaining liquid in tank that cannot be used)	< 200 ml [6.8 oz]				
Pump system	Piston pump			Diaphragm pump	
Maximum permitted operating pressure	4.0 bar [58 psi] with pressure plug up to 6 bar [87 psi]			4.0 bar [58 psi]	
Pressure chamber capacity	1.3 l [44 oz]				
Stroke volume	80 cm ³ [4.88 cu.in]				
Permissible operating temperature	0–40 °C [32–104 °F]				
Pressure hose:	Length 1,300 mm [51"]				
Maximum application volume (with standard spraying nozzle at 4 bar [58 psi])	1.85 l/min [0.489 USgal/min]				
Filter insert:	Mesh gauge 0.8 mm [0.031"]				
Filling screen:	Mesh gauge 2.0 mm [0.079"]				
Weight:	Ready for operation, empty	5.1 kg [11.2 lbs]	4.5 kg [9.9 lbs]	5.2 kg [11.5 lbs]	4.7 kg [10.4 lbs]
	Ready for operation, with max. filling volume	25.1 kg [55.3 lbs]	19.5 kg [43.0 lbs]	20.2 kg [44.5 lbs]	19.7 kg [43.4 lbs]
Dimensions (without spray wand, Pump lever and pressure hose):	height	590 mm [23.2"]	520 mm [20.5"]		
	Width	400 mm [15.8"]	370 mm [14.6"]		
	Depth	250 mm [9.8"]	240 mm [9.45"]		

Application volumes (l/min [USgal/min])/* **optimal operating pressure** by using the corresponding nozzle:

Spray pressure	1 bar [15 psi]	2 bar [29 psi]	3 bar [44 psi]	4 bar [58 psi]
Nozzle				
Flat spray nozzle 04-F110	0.92 [0.243]	* 1.31 [0.346]	1.60 [0.423]	1.85 [0.489]
Hollow cone nozzle 1.4 mm Ø	0.64 [0.169]	* 0.91 [0.240]	1.11 [0.293]	1.28 [0.339]
High reach jet, adjustable	0.44 -1.10 [0.116–0.291]	* 0.55 – 1.45 [0.145–0.383]	0.66 – 1.75 [0.174–0.462]	0.75 – 1.85 [0.198–0.489]
Flat spray nozzle 02-F80	0.46 [0.122]	* 0.65 [0.172]	0.80 [0.211]	0.92 [0.243]

Information about material ingredients (VO (EC) No.1907/2006 „REACH“) can be found on our homepage under: <https://de.solo.global/de/content/12-service>

solo[®]

Made in Germany



SOLO Kleinmotoren GmbH

Industriestraße 9	D-71069 Sindelfingen
Postfach / PO Box 60 01 52	D-71050 Sindelfingen
DEUTSCHLAND / GERMANY	
Tel.: +49 (0)7031 301-0	Fax: +49 (0)7031 301-202
info@solo-germany.com	http://solo.global/